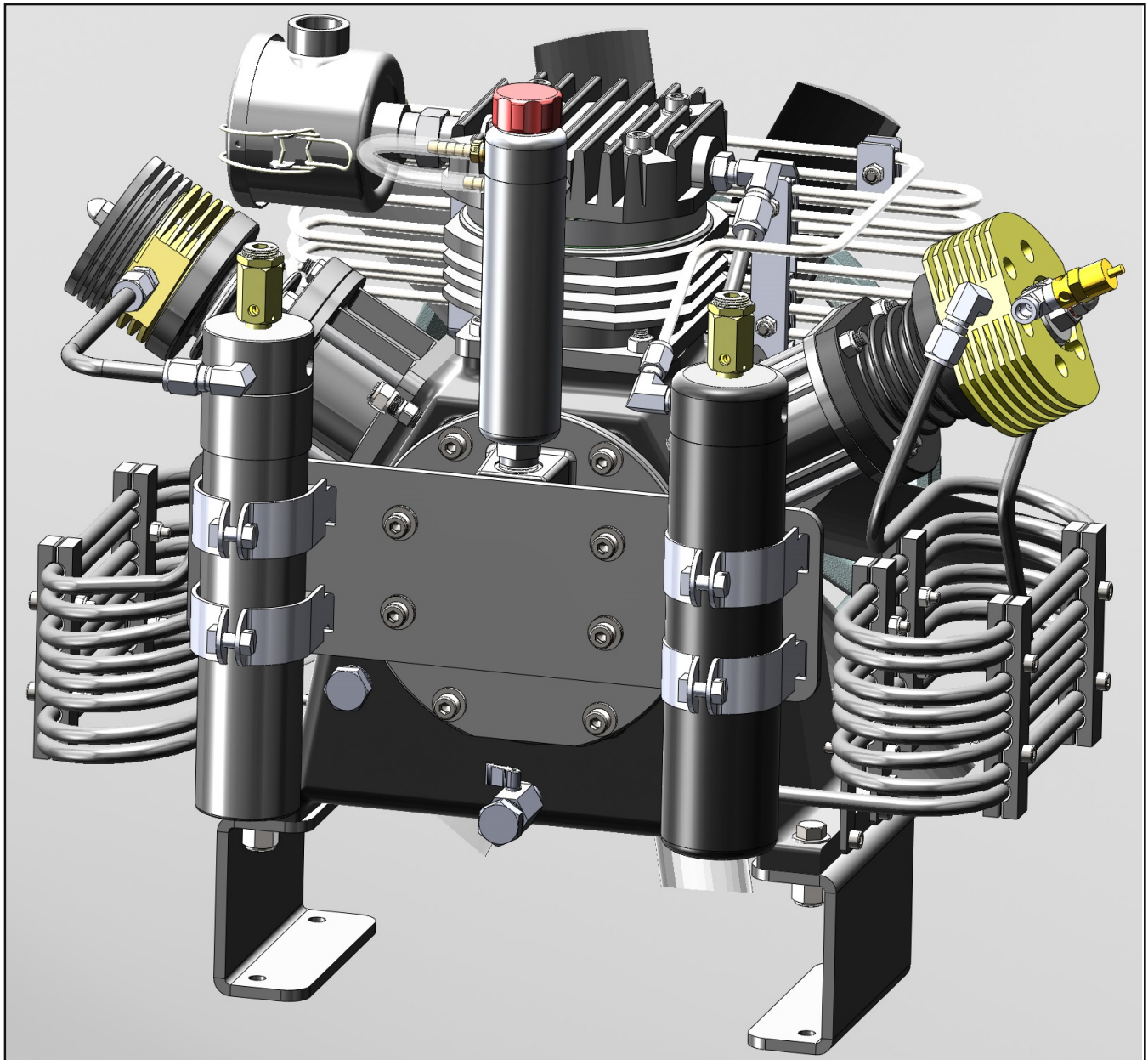




**ARCTIC
COMPRESSOR**

**ARCTIC 1000-1060
COMPRESSOR BLOCK
PARTS MANUAL**



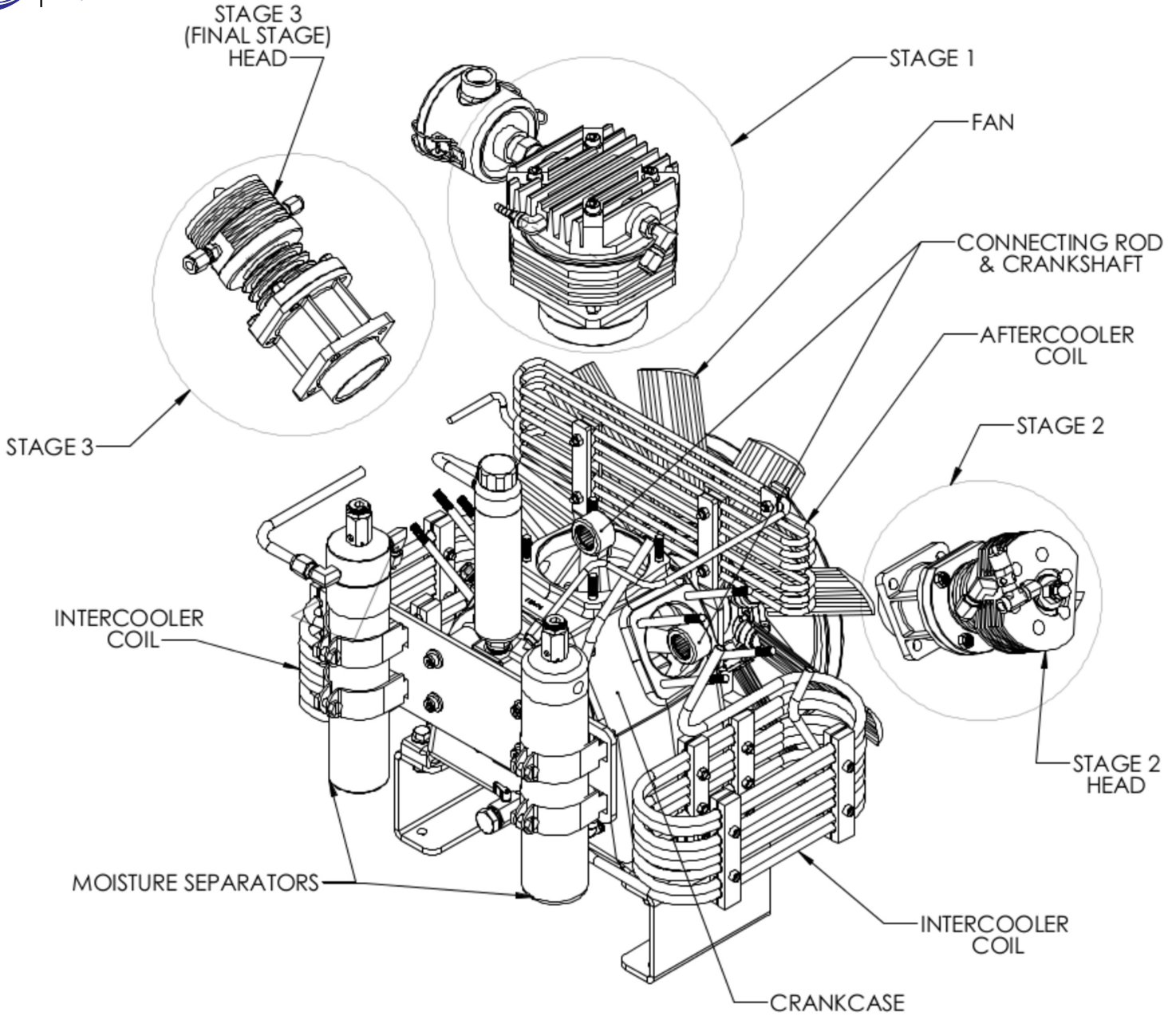
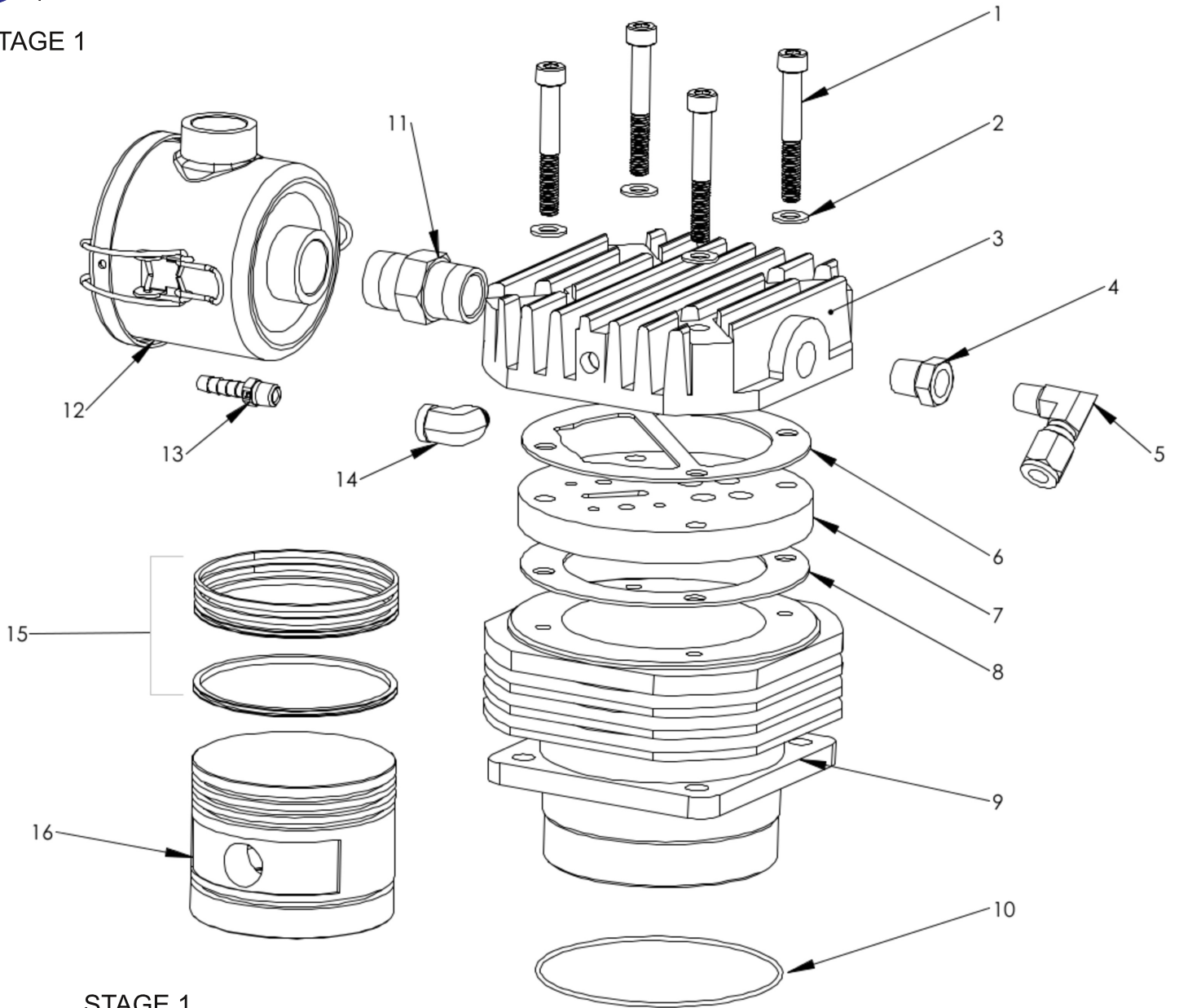


TABLE OF CONTENTS

SECTION	PAGE
STAGE (1) ASSEMBLY	2
STAGE (2) ASSEMBLY	3
STAGE (2) HEAD ASSEMBLY	4
STAGE (3) ASSEMBLY	5
STAGE (3) HEAD ASSEMBLY	6
CRANKSHAFT & CONNECTING RODS ASSEMBLY	7
CRANKCASE ASSEMBLY	8 – 9
COOLING SYSTEM ASSEMBLY	10 – 11
FAN ASSEMBLY	12
MOISTURE SEPERATOR ASSEMBLY	13

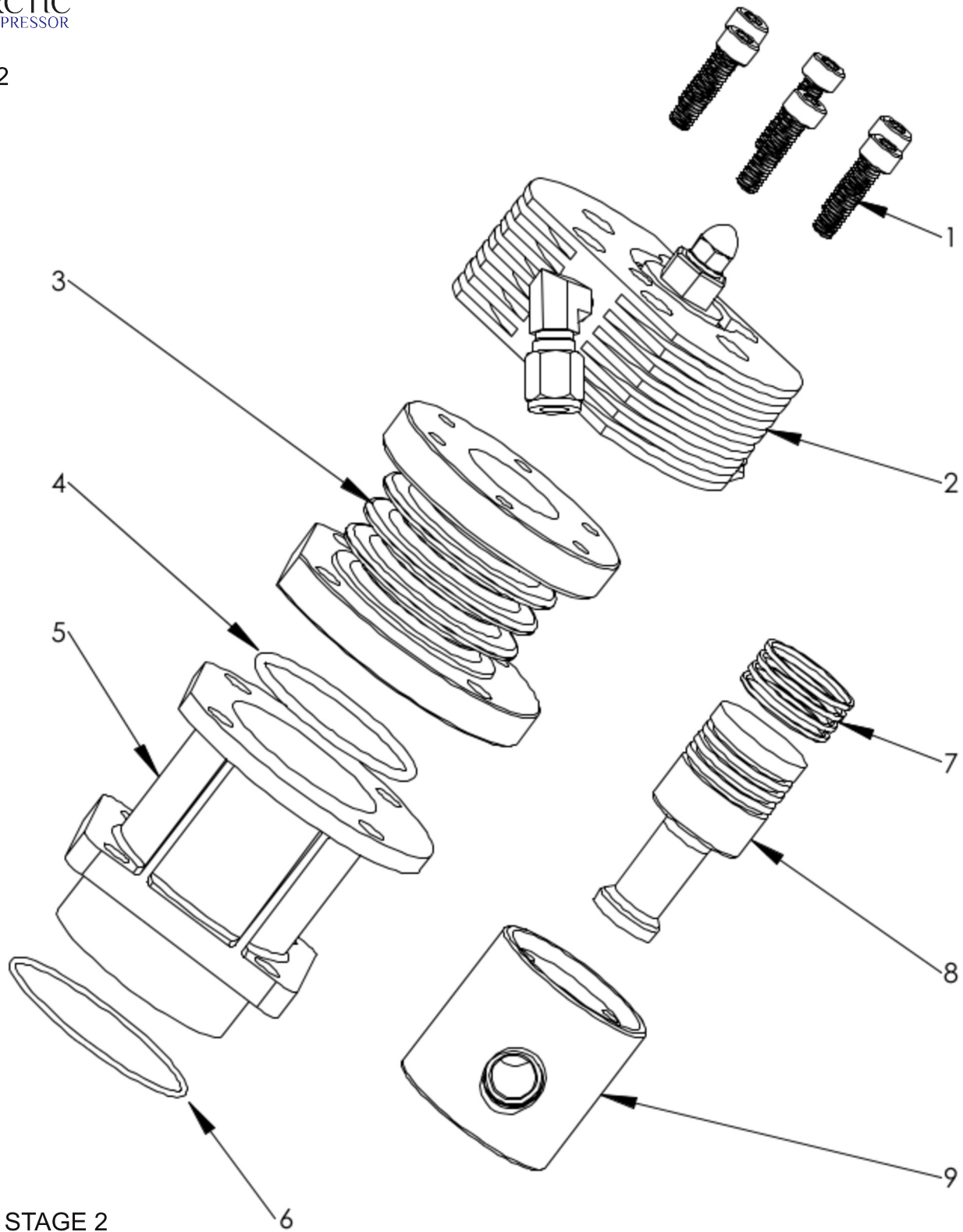
STAGE 1



STAGE 1

Reference #	Part #	Description	Qty
1	P-2560101	M8X60 Socket head cap screw	4
2	P-2520101	M8 washer	4
3	P-2010101	First stage head	1
4	F-011521	3/8" NPT x 1/4" NPT bushing	1
5	F-01252	1/4" NPT x 3/8" Tube elbow	1
6	P-4020101	First stage plenum gasket	1
7	P-1515101	First stage valve	1
8	P-4020102	First stage cylinder gasket	1
9	P-1010101	First stage cylinder	1
10	OR-2X102	First stage o-ring	1
11	F-25110	3/4" nipple	1
12	P-5520101	Air intake	1
	X-AI-2	Element for P-5520101	1
13	F-01162	1/4" hose barb x 1/8" MNPT	1
14	F-02210	1/8" Street elbow	1
15	P-3530101	90 mm Ring set	1 Set
16	P-3520101	90 mm Piston (WITH PIN & CLIPS)	1

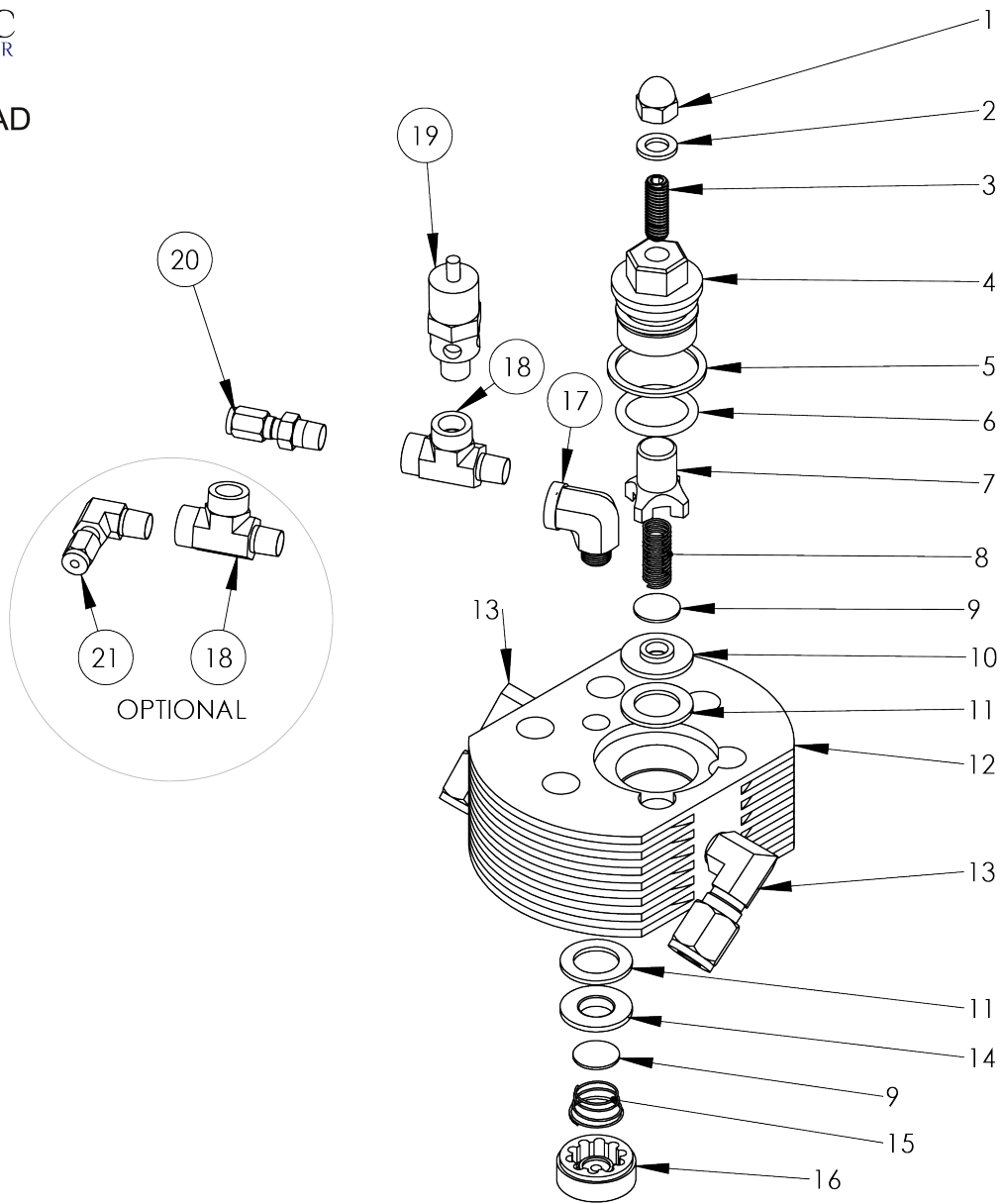
STAGE 2



STAGE 2

Reference #	Part #	Description	Qty
1	P-2560103	M8X30 Socket head cap screw	6
2	SEE PAGE 4	STAGE 2 (head assembly)	1
3	P-1010102	36mm Cylinder	1
4	OR-V142	Cylinder o-ring	1
5	P-1010103	Guide cylinder	1
6	OR-BH2X70	Guide cylinder o-ring	1
7	P-3530102	36 mm ring set	1
8	P-3520105	36 mm piston	1
9	P-3520103	Guide piston (WITH PIN AND CLIPS)	1

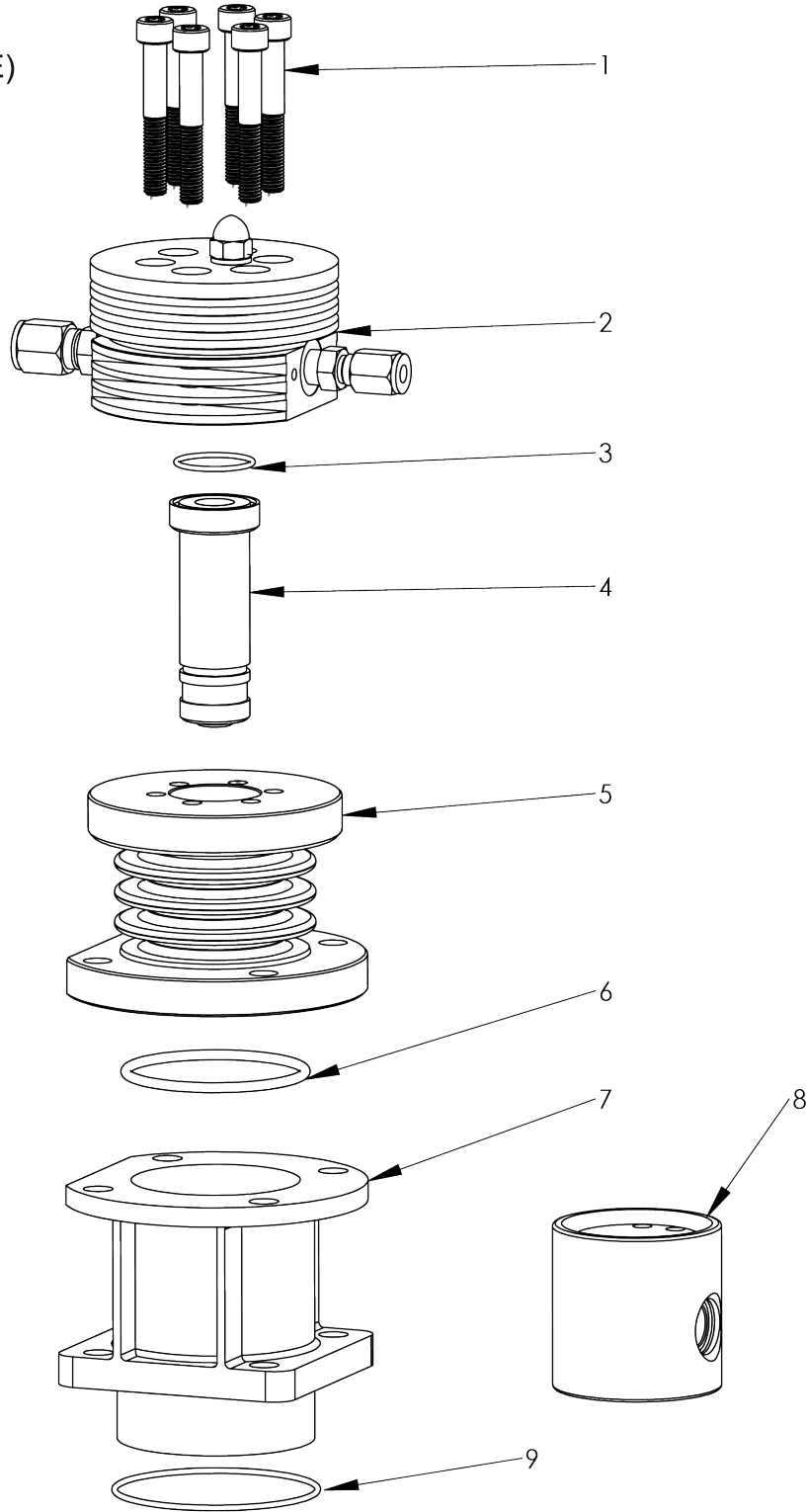
STAGE 2 HEAD



STAGE 2 HEAD

Reference #	Part #	Description	Qty
1	P-2530101	M8 Acorn Nut	1
2	P-4030101	M8 Copper Washer	1
3	P-2550101	M8 set screw	1
4	P-1540101	2 nd Stage exhaust valve body	1
5	P-151010	Steel washer	1
6	OR-V212	O-ring	1
7	P-1540102	Exhaust valve hold down	1
8	P-1530101	Exhaust valve spring	1
9	P-1545101	2 nd stage valve disc	2
10	P-1550101	2 nd stage exhaust valve seat	1
11	P-4030102	Copper seal	2
12	P-2010102	2 nd Stage head	1
13	F-01252	1/4" MNPT x 3/8" tube elbow	1
14	P-1550102	Intake valve seat	1
15	P-1530102	Intake valve spring	1
16	P-1540103	Intake valve body	1
17	F-02210	1/8" street elbow	1
18	F-02410	1/8" T fitting	1
19	A-R2018	relief valve	1
20	F-B-02150	1/8" tube to 1/8" NPT male fitting	1
21	F-B-02250	1/8" NPT male to 1/8" tube elbow	1

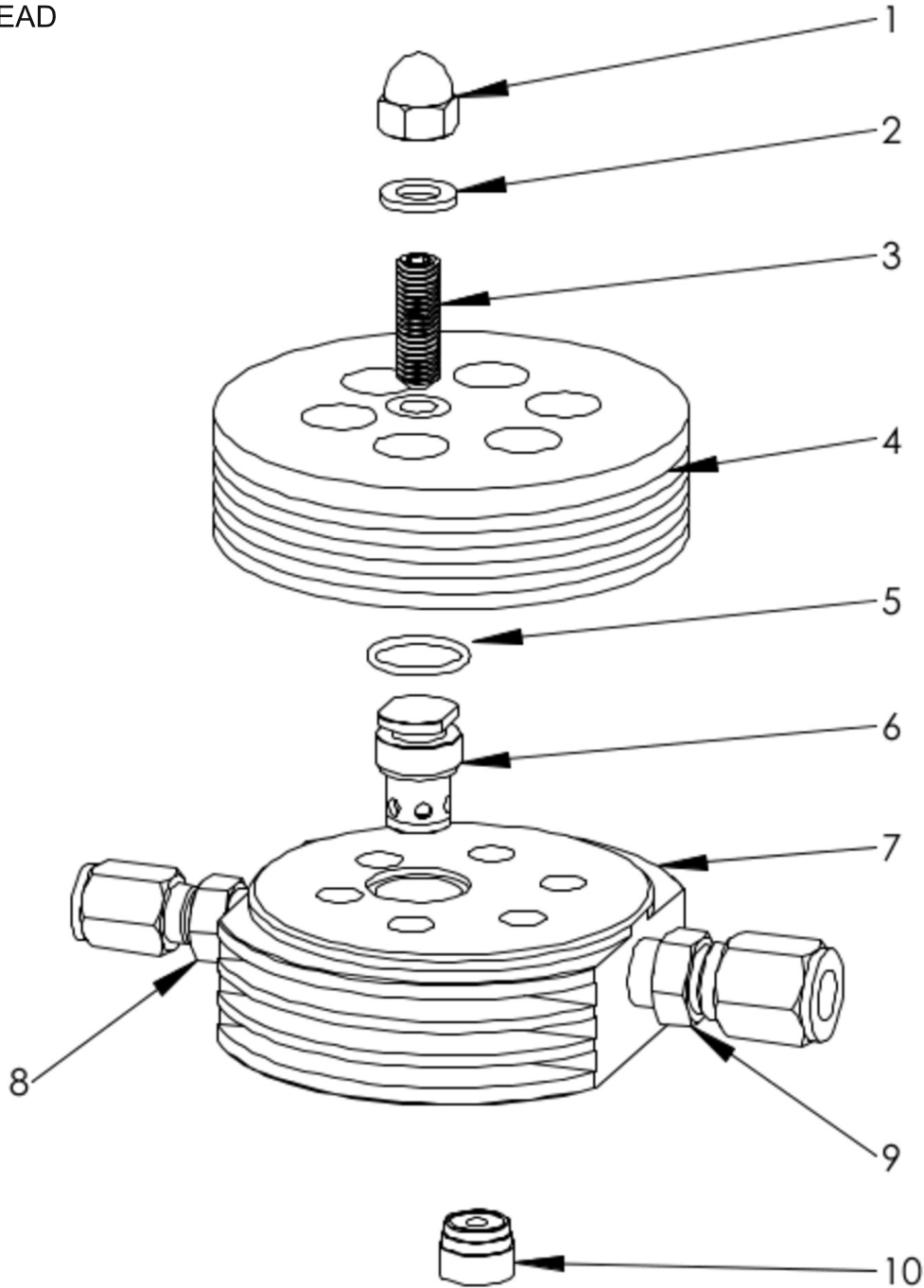
STAGE 3 (FINAL STAGE)



STAGE 3
(FINAL STAGE)

Reference #	Part #	Description	Qty
1	P-2560102	M8X55 Socket head cap screw	6
2	SEE PAGE 6	STAGE 3 (head assembly)	1
3	OR-V022-90	O-ring	1
4 (ARCTIC 1000)	P-3520102	Final piston and sleeve (14 MM)	1
4 (ARCTIC 1060)	P-3520162	Final piston and sleeve (12 MM)	1
5	P-1010106	Final cylinder	1
6	OR-V142	Cylinder o-ring	1
7	P-1010103	Guide cylinder	1
8	P-3520103	Guide piston (WITH PIN & CLIPS)	1
9	OR-BH2X70	Guide cylinder o-ring	1

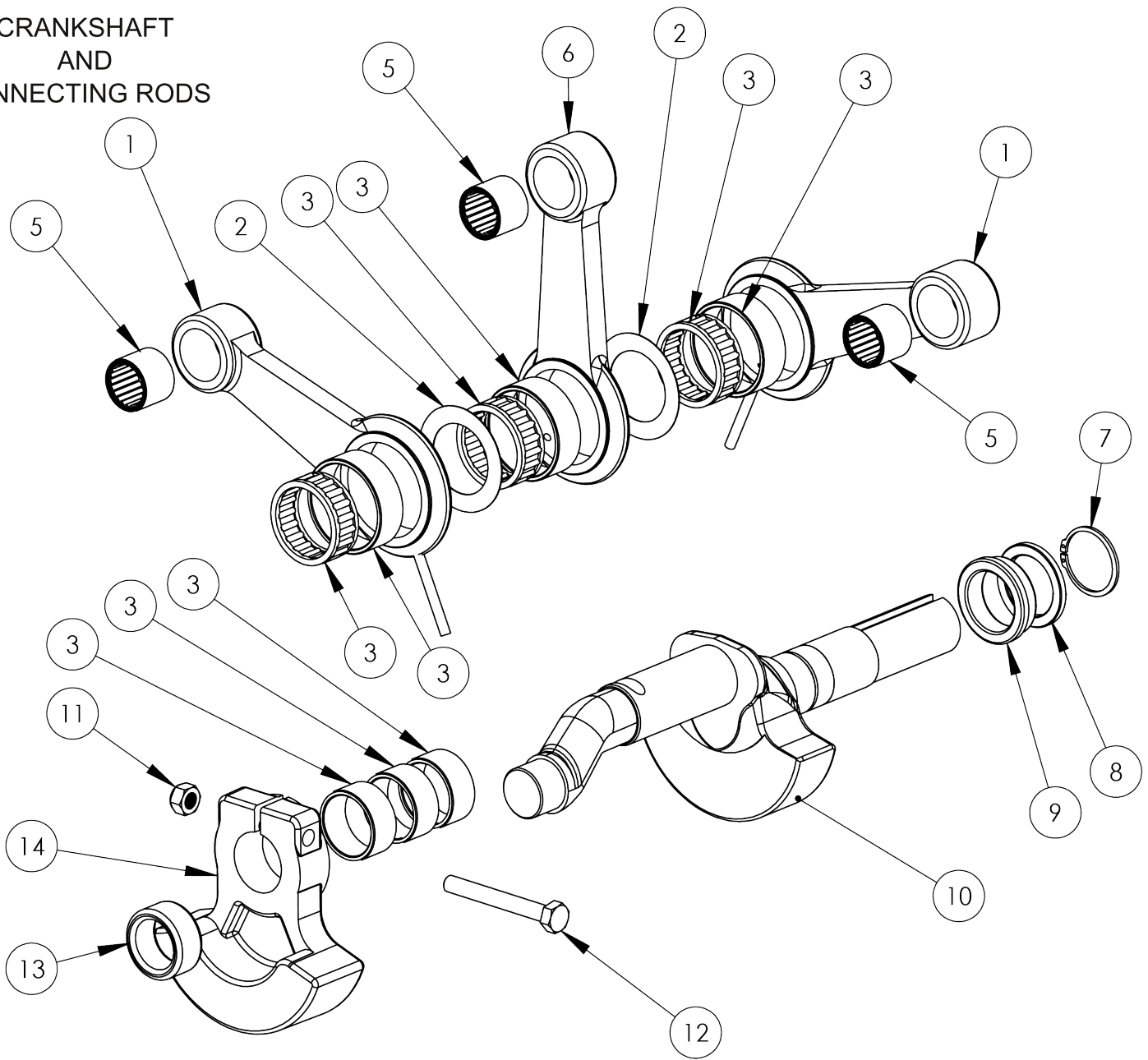
STAGE 3
(FINAL STAGE) HEAD



STAGE 3
(FINAL STAGE) HEAD

Reference #	Part #	Description	Qty
1	P-2530101	Acorn Nut	1
2	P-4030101	M8 Copper washer	1
3	P-2550101	Set screw	1
4 (ARCTIC 1000)	P-2020101	Head cap (BLACK)	1
4 (ARCTIC 1060)	P-2020161	Head cap (RED)	1
5	OR-V016-90	Final valve o-ring	1
6	P-1525101	Final exhaust valve	1
7	P-2010103	Final head	1
8	F-01150	1/4" MNPT x 1/4" Tube	1
9	F-011511	1/4" MNPT x 3/8" Tube	1
10	P-1525102	Final intake valve	1

CRANKSHAFT AND CONNECTING RODS

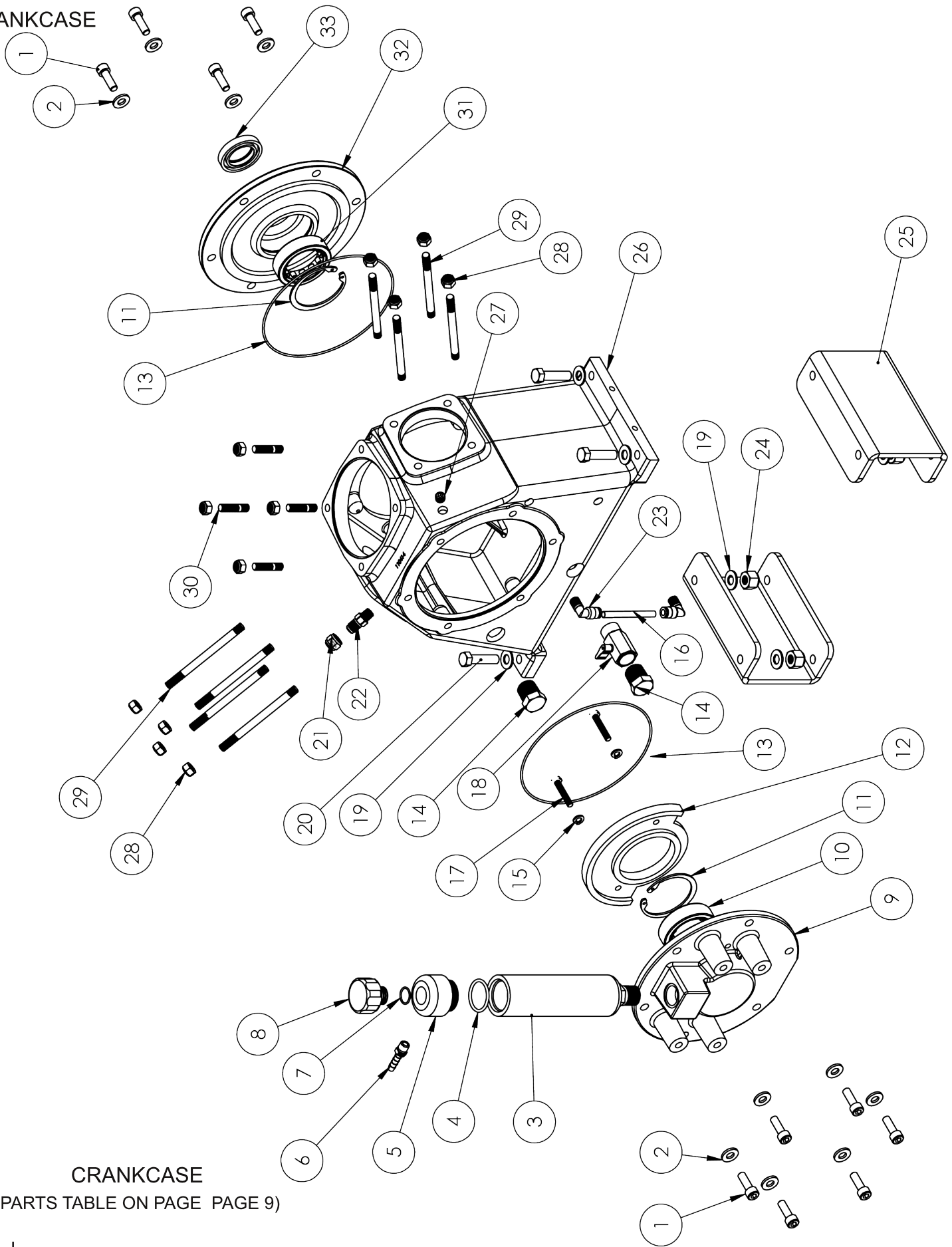


CRANKSHAFT AND CONNECTING RODS

Reference #	Part #	Description	Qty
1	P-3050101	Connecting rod with splasher	2
2	P-3010101	Shim	2
3	P-3060101	Needle Cage	3
3	P-3060101	outer race	3
3	P-3060101	Inner Race	3
5	P-3060102	Needle Bearing (pin)	3
6	P-3050102	Connecting Rod (without splasher)	1
7	P-2510251	Snap clip	1
8	P-3060103	Spacer (purchased with part 31 in crankcase assembly)	1
9	P-3060103	Inner Race (purchased with part 31 in crankcase assembly)	1
10	P-3040101	Crankshaft	1
11	P-2530202	M8 Nylon Insert Lock Nut	1
12	P-2570201	M8 x 65 HBOLT	1
13	P-3060104	Inner Race (purchased with part 10 in crankcase assembly)	1
14	P-3010102	Counterweight	1

THESE PARTS ARE
PURCHASED TOGETHER

CRANKCASE



CRANKCASE

(PARTS TABLE ON PAGE PAGE 9)

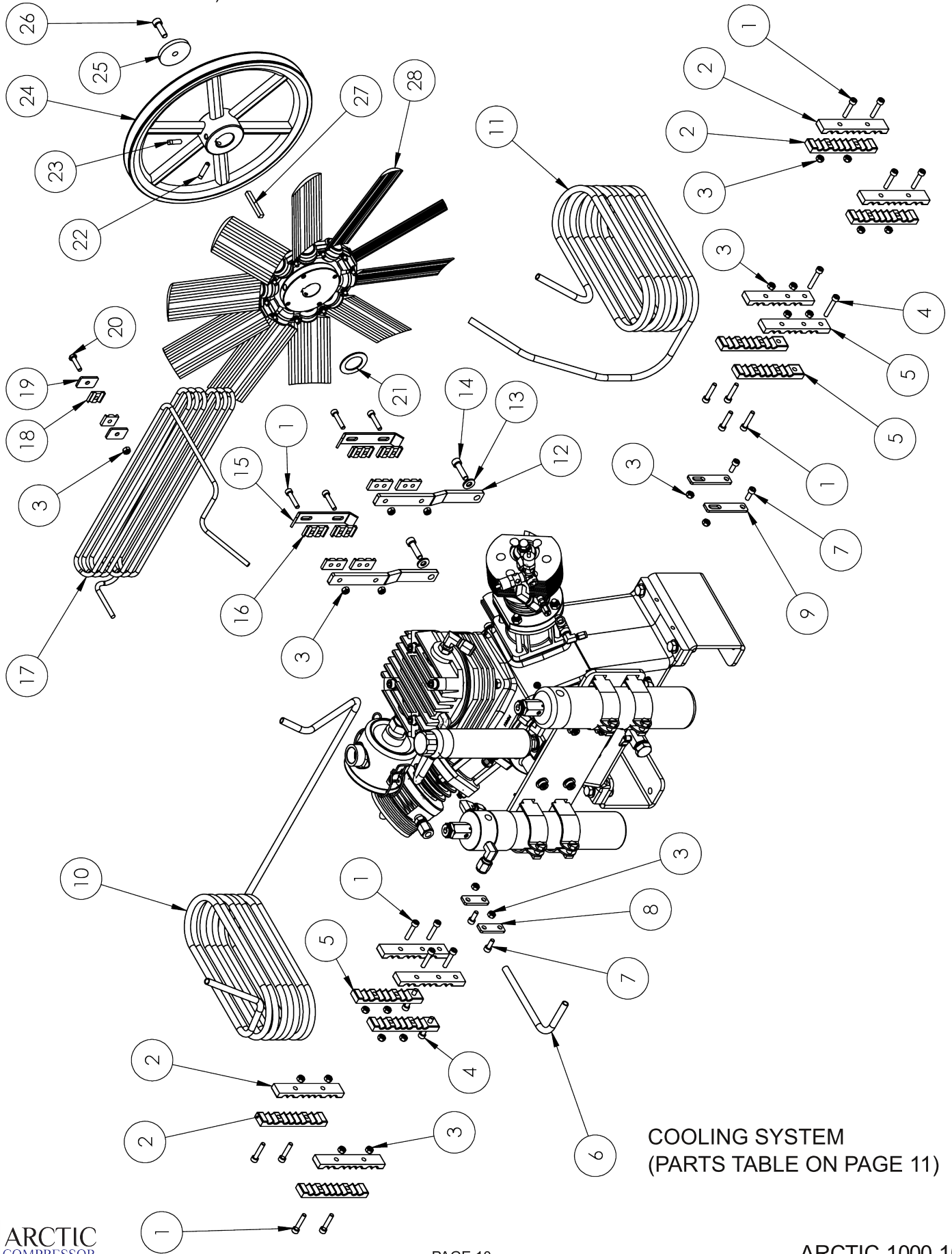
CRANKCASE

(DRAWING ON PAGE 8)

Reference #	Part #	Description	Qty
1	P-2560105	M8 X 25 SHCS	10
2	P-2520101	M8 WASHER	10
3	P-3010106	OIL TUBE	1
4	OR-B916-90	O-RING -916 BUNA 90 DUR	1
5	P-3010107	OIL TUBE TOP	1
6	F-01162	1/4" HOSE BARB X 1/8" MNPT	1
7	OR-V016	O-RING -016 VITON 75 DUR	1
8	P-3010105	OIL FILL CAP	1
9	P-3030101	CRANKCASE COVER	1
10	P-3060104	CASE COVER BEARING (OUTER RACE AND ROLLER SHOWN) (INNER RACE SHOWN WITH CRANKSHAFT ON PAGE 7)	1
11	P-2510201	SNAP RING	2
12	P-3010208	BAFFLE PLATE	1
13	OR-H2X150	O-RING H2 X150 BUNA 70 DUR	2
14	F-09510	1/2" PLUG	2
15	P-2520301	M6 SPLIT LOCK WASHER	2
16	P-3010108	SIGHT GLASS TUBE	1
17	P-2560109	M6 X 25 SHCS	2
18	F-09160	1/2" BALL VALVE	1
19	P-2520102	3/8" FLAT WASHER	8
20	P-2570203	3/8" X 1.5" HHCS	4
21	F-03560	#4 JIC CAP	1
22	F-02131	#4 JIC MALE X 1/8" MNPT	1
23	F-02252	SIGHT GLASS FITTING	2
24	P-2530302	3/8" NYLON INSET LOCK NUT	4
25	P-3010207	CRANKCASE RISER	2
26	P-3020101	CRANKCASE	1
27	F-02502	1/8" HH PIPE PLUG	1
28	P-2530202	M8 NYLON INSERT LOCK NUT	12
29	P-2540101	DIN 939 X 95MM STUD	8
30	P-2540102	DIN 939 X 25MM STUD	4
31	P-3060103	CASE COVER BEARING (OUTER RACE AND ROLLER SHOWN) (INNER RACE SHOWN WITH CRANKSHAFT ON PAGE 7)	1
32	P-3030102	CRANKCASE COVER	1
33	P-4030201	SHAFT SEAL 30 X 48 X 8	1

CRANKCASE
(DRAWING ON PAGE 8)

COOLING SYSTEM
(PARTS TABLE ON PAGE 11)



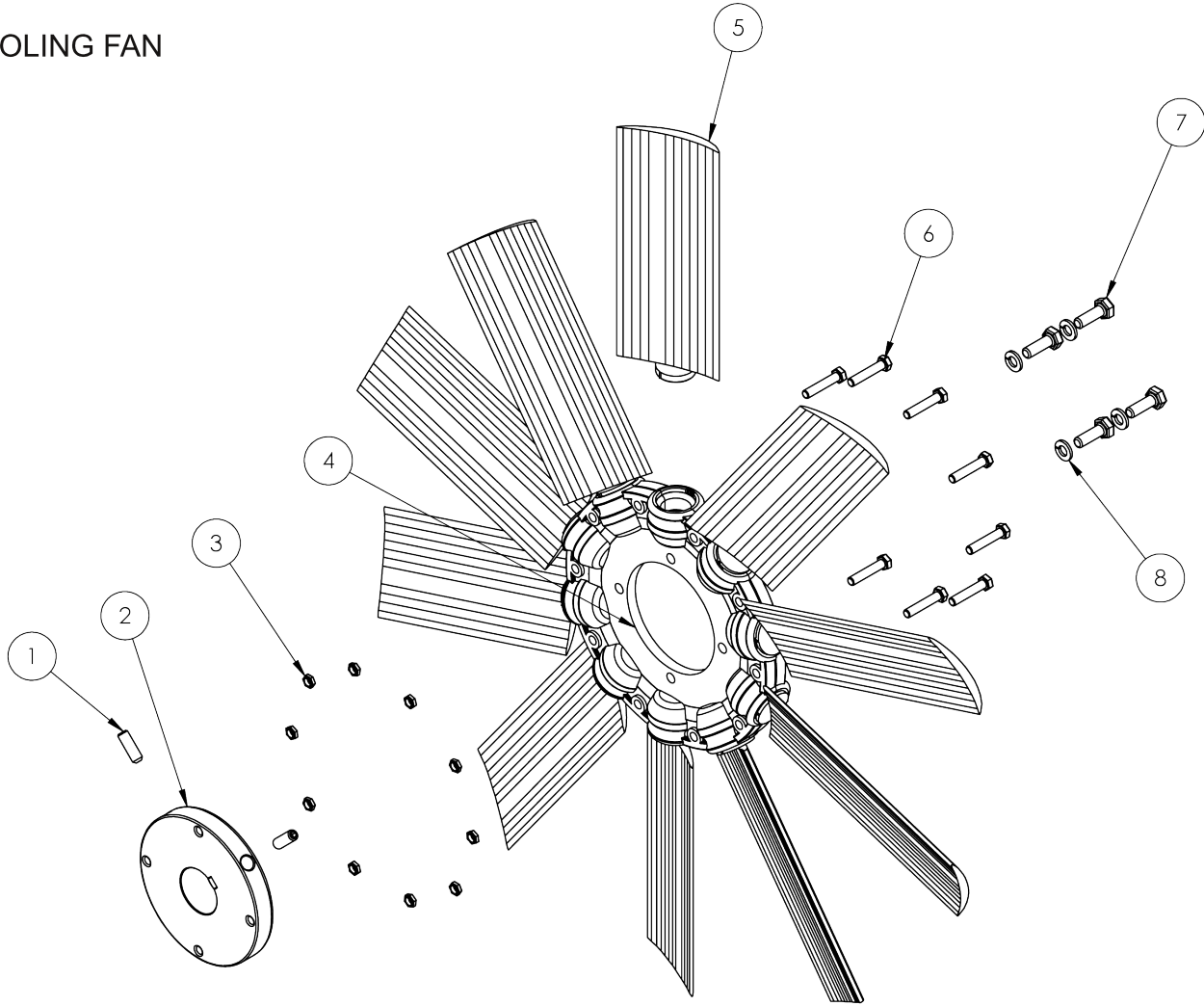
COOLING SYSTEM
(PARTS TABLE ON PAGE 11)

COOLING SYSTEM
(DRAWING ON PAGE 10)

Reference #	Part #	Description	Qty
1	P-2560106	M6X30 SHCS	20
2	P-6020110	INTERCOOLER TUBE CLAMP (OUTER)	8
3	P-2530201	M6 NYLON INSERT LOCKNUT	25
4	P-2560107	M6X35 SHCS	4
5	P-6020111	INTERCOOLER TUBE CLAMP (INNER)	8
6	P-6040102	L TUBE (dia 0.380) wall thickness=0.049	1
7	P-2560108	M6X16 SHCS	4
8	P-6020301	IC TAB 1	2
9	P-6020302	IC TAB 2	2
10	P-6020202	INTERCOOLER TUBE 2 (STAGE 2 TO STAGE 3)	1
11	P-6020201	INTERCOOLER TUBE 1 (STAGE 1 TO STAGE 2)	1
12	P-6030111	AFTERCOOLER BRACKET 1 (INNER)	2
13	P-2520101	M8 FLAT WASHER	2
14	P-2560103	M8X30 SHCS	2
15	P-6030110	AFTERCOOLER BRACKET 2 (OUTER)	2
16	P-6030201	AFTERCOOLER PLASTIC	8
17	P-6030101	AFTERCOOLER TUBE	1
18	P-6030202	AFTERCOOLER PLASTIC SHORT	2
19	P-6030203	AFTERCOOLER TAB	2
20	P-2560109	M6X25 SHCS	1
21	P-2520201	SHAFT SPACER	1
22	P-2550104	5/16 x 1" SQUARE HEAD SET SCREW (CUP TIP)	1
23	P-2550103	5/16 x ¾ SQUARE HEAD SET SCREW (CUP TIP)	2
24	P-3080101	FLYWHEEL	1
25	P-2520202	CRANKSHAFT WASHER	1
26	P-2560105	M8X25 SHCS	1
27	P-6510104	¼ X ¼ X 2 SQUARE KEY	2
28	P-3070104	FAN ASSEMBLY (SEE PAGE 12)	1

COOLING SYSTEM
(DRAWING ON PAGE 10)

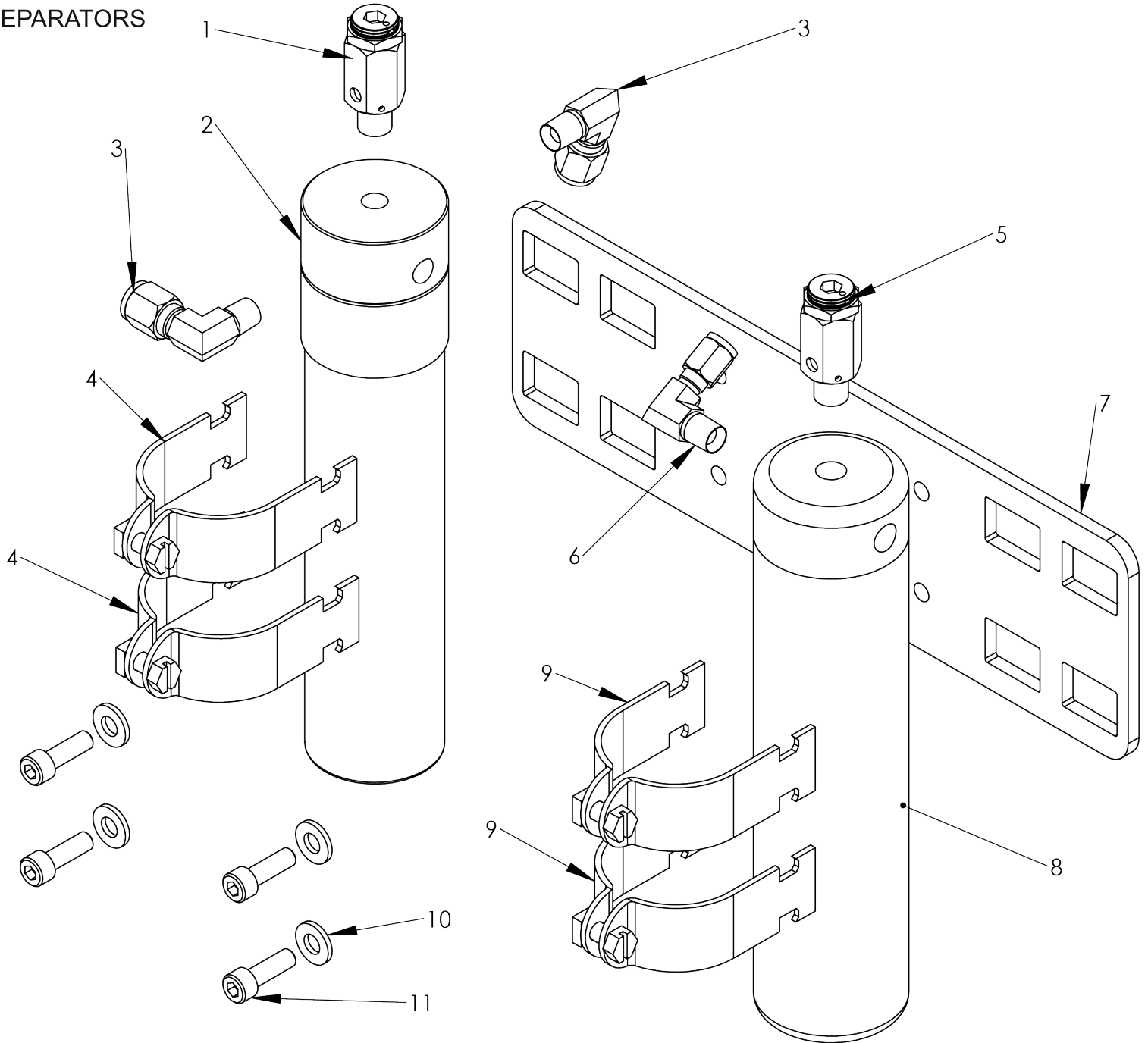
COOLING FAN



COOLING FAN

Reference #	Part #	Description	Qty
1	P-2550102 *(Before May 2013)	1/4 x 3/4 socket set screw (cup point)	2
1	P-2550108 *(After May 2013)	5/16 x 3/4 socket set screw (cup point)	2
2	P-3070101	Fan bushing	1
3	P-2530401	M5 nut	10
4	P-3070102	Fan hub assembly	1
5	P-3070103	Fan Blade	10
6	P-2570205	M5 x 1 HBOLT	10
7	P-2570204	1/4 x 3/4 HBOLT	4
8	P-2520310	1/4" Split Lockwasher	4
FAN ASSEMBLY	P-3070104	PARTS 3,4,5 AND 6 ASSEMBLED	1

MOISTURE SEPARATORS



MOISTURE SEPARATORS

Reference #	Part #	Description	Qty
1 (ARCTIC 1000)	A-R2015-850	Relief Valve (SET TO 850 PSI)	1
1 (ARCTIC 1060)	A-R2015-1000	Relief Valve (SET TO 1060 PSI)	1
2	P-6040101	Inter stage Moisture Separator	1
3	F-01252	Elbow (1/4 NPT X 3/8 TUBE ELBOW)	2
4	P-2510101	Clamps (2 1/4 OD)	2
5	A-R2010-final	Relief Valve	1
6	F-01251	Elbow (1/4 NPT X 1/4 TUBE ELBOW)	1
7	P-6510101	Separator Mounting Plate	1
8	X-FMS-1	Final Moisture Separator	1
9	P-2510102	Clamps (2" PIPE)	2
10	P-2520101	M8 Flat Washer	4
11	P-2560105	M8 X 25 SHCS	4