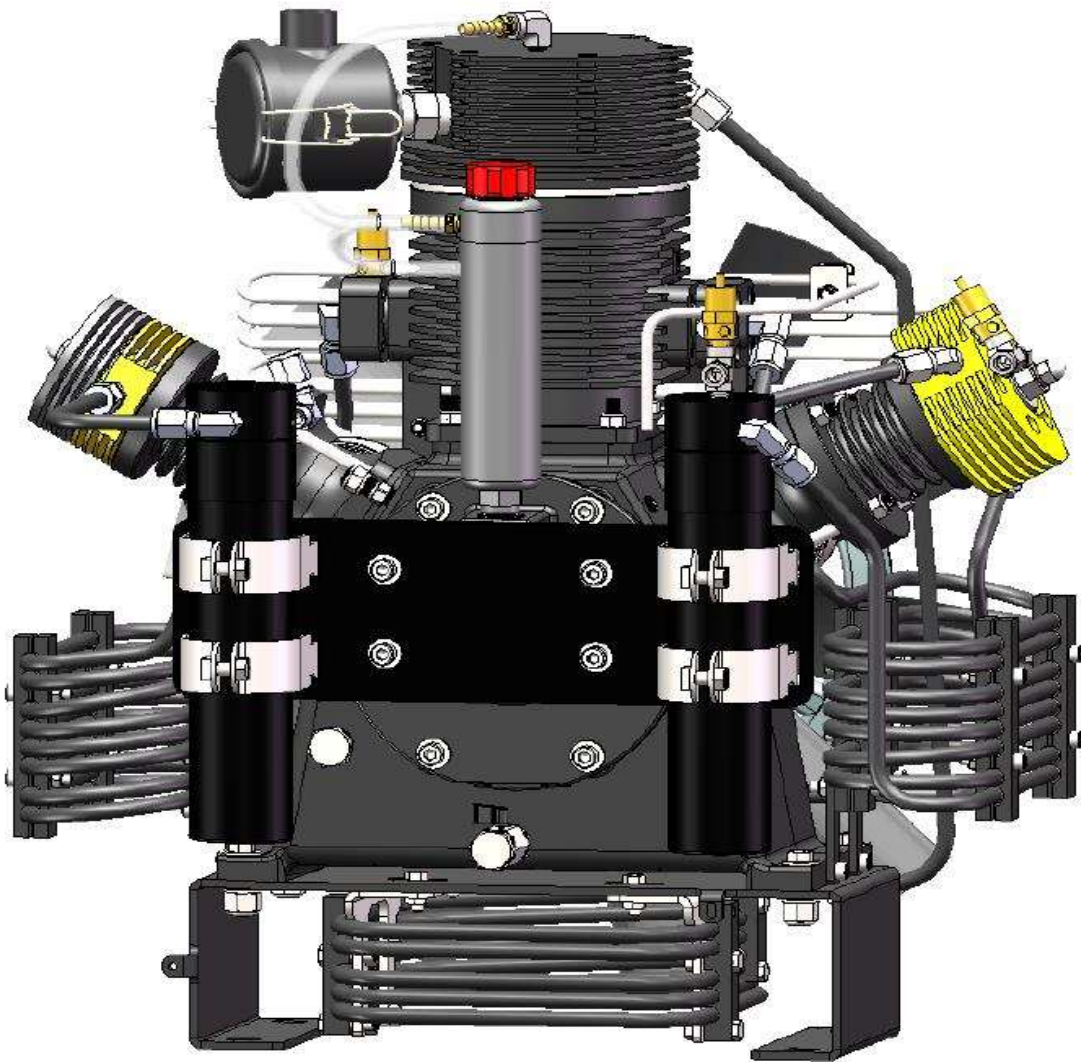
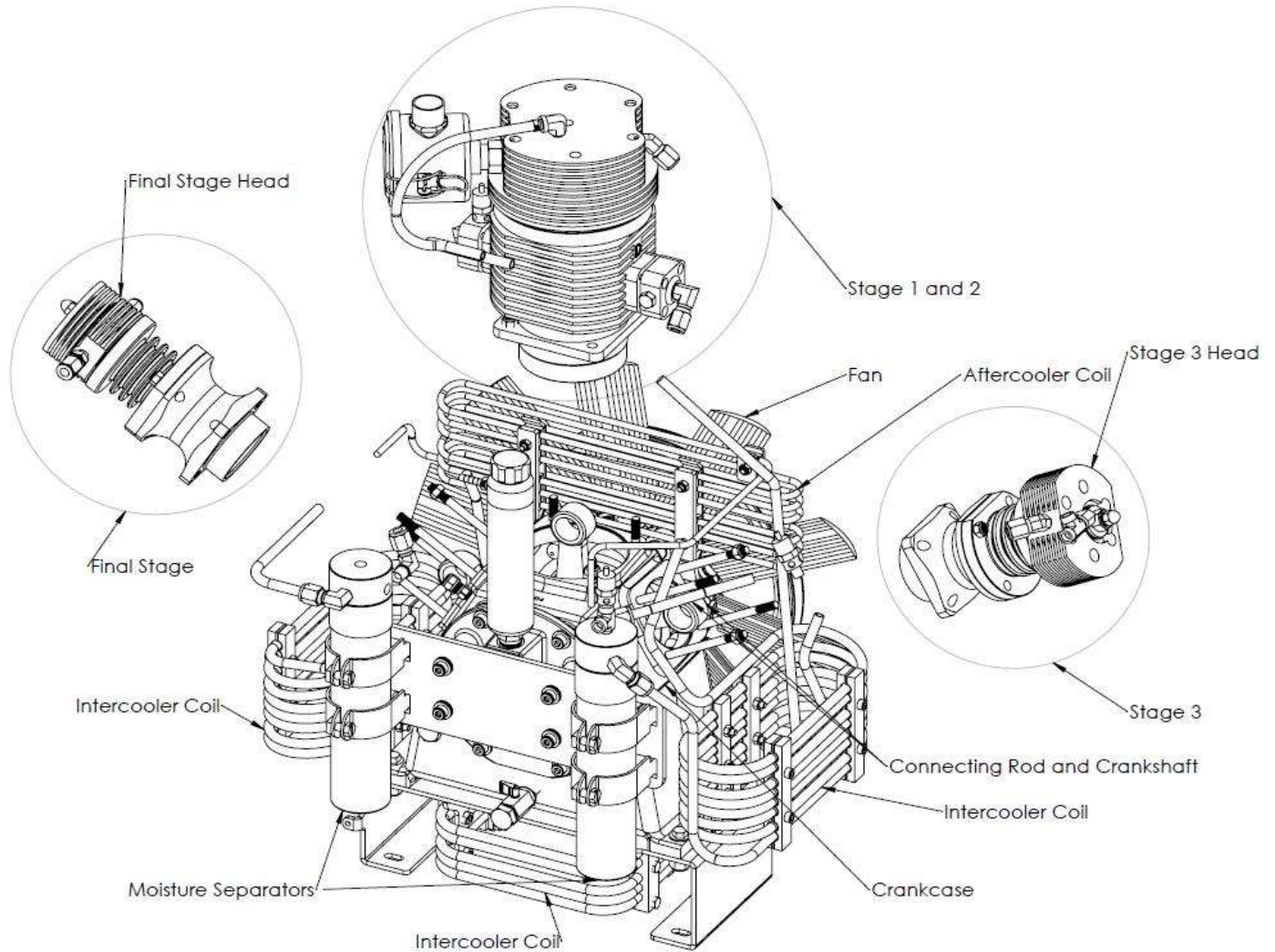




Arctic 1500 Compressor Block Parts Manual





Section	Page
Stage 1 and 2 Assembly	2-3
Stage 1 and 2 Piston Assembly	4
Stage 3 Assembly	5
Stage 3 Head Assembly	6-7
Final Stage Assembly	8
Final Stage Head Assembly	9
Crankshaft and Connecting Rods Assembly	10
Crankcase Assembly	11-12
Cooling System Assembly	13-14
Fan Assembly	15
Moisture Separator Assembly	16

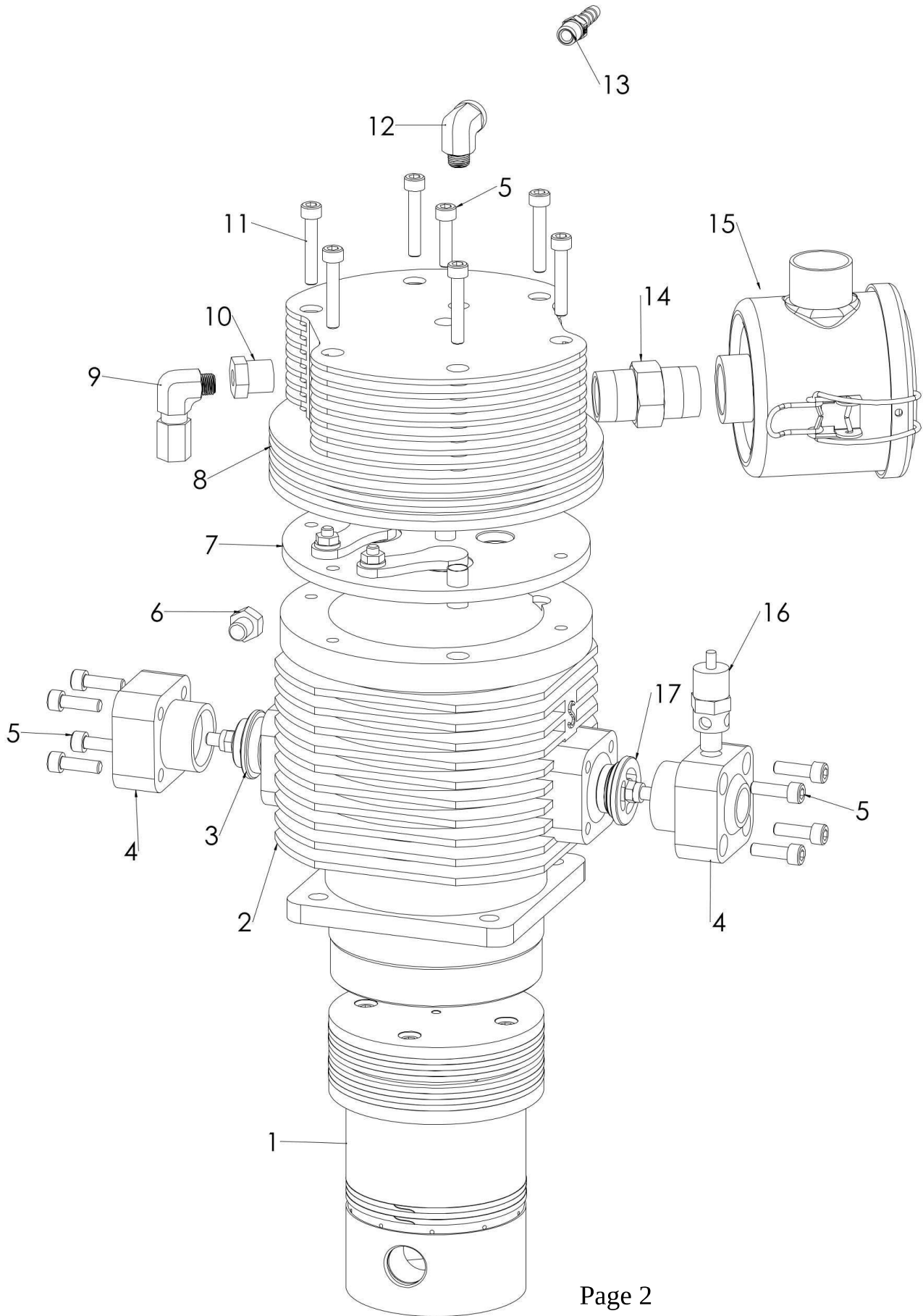
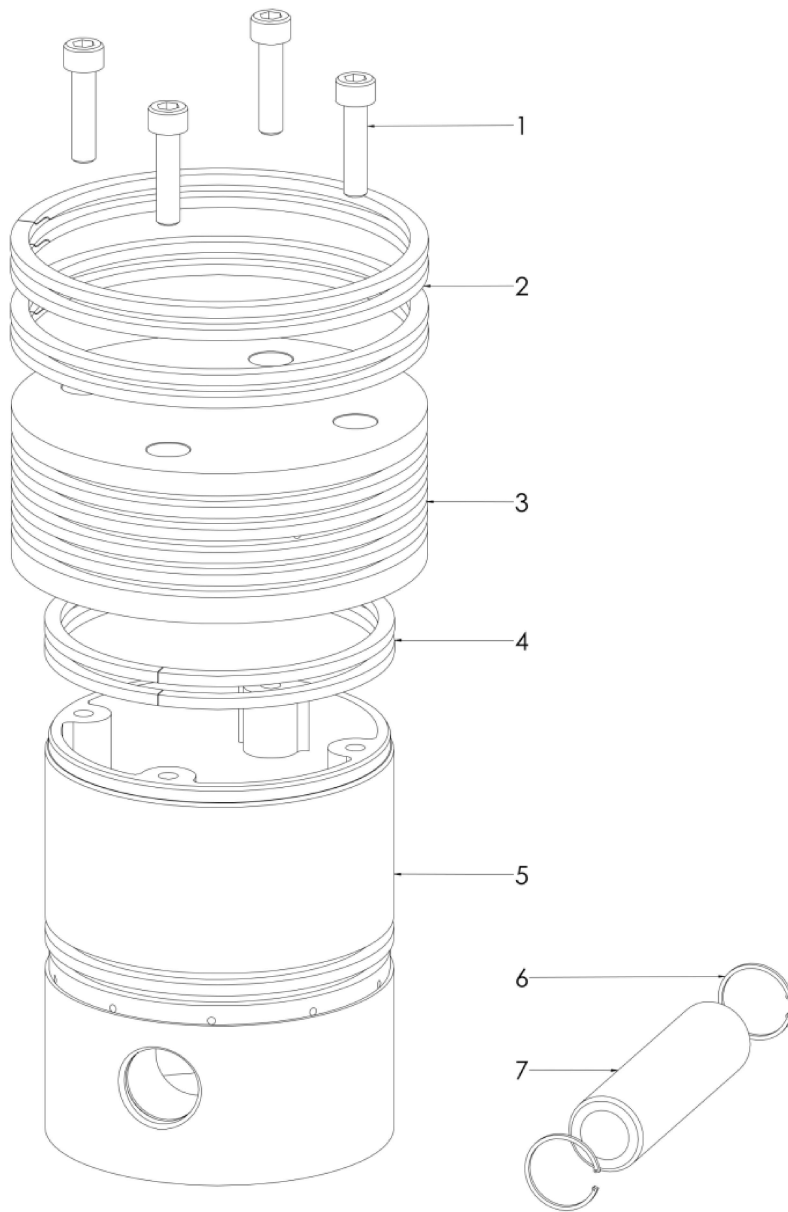


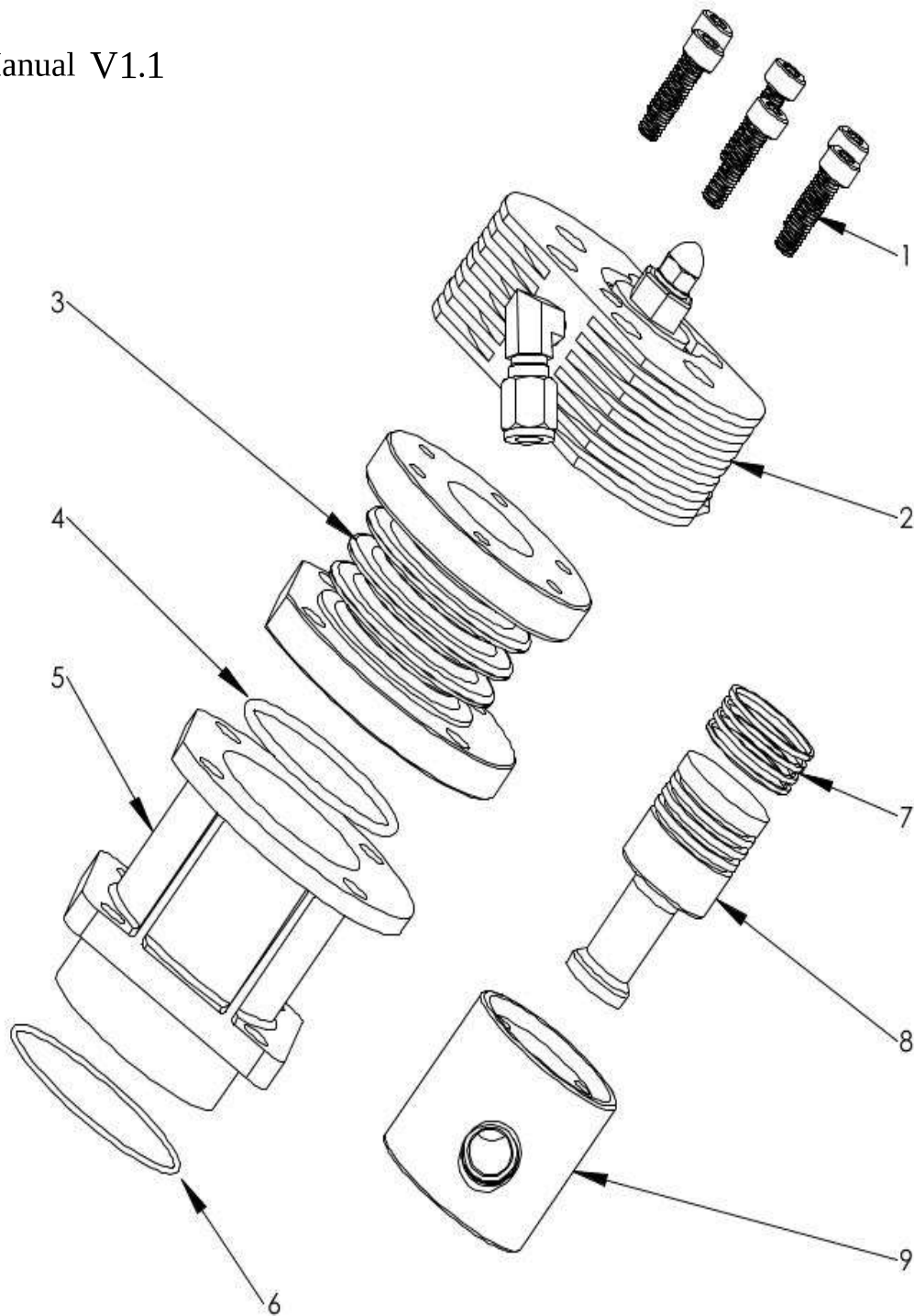
Diagram on previous page

Number	Part number	Description	Quantity
1		First/Second Stage Piston Assembly	1
2	P-1010105	1 st / 2 nd Stage Cylinder	1
3	P-1525104	2 nd Stage Discharge Valve	1
4	P-2010117	2 nd Stage Valve Cover	2
5	P-2560109	M6 x 25 SHCS	9
6	F-02502	1/8 NPT Hex Plug	1
7	P-1515501	1 st Stage Valve	1
8	P-2010115	1 st Stage Head	1
9	F-01252	¼ MNPT x 3/8 MNPT 90° elbow	1
10	F-011521	3/8 MNPT x ¼ FNPT Bushing	1
11	P-2560113	M6 x 40 SHCS	6
12	F-02210	1/8 MNPT x 1/8 FNPT 90° elbow	1
13	F-B-02162	1/8 MNPT x ¼ hose barb brass	1
14	F-25110	¾ NPT Hex Nipple	1
15	P-5520101	Air Intake Housing	1
16	A-R2018	Relief Valve- 150 PSI	1
17	P-1525103	2 nd Stage Suction Valve	1



Number	Part number	Description	Quantity
1	P-2560111	M6 x 45 SHCS	4
2	P-3530701	105mm Piston ring set	4
3	P-3520111	Piston top 105mm	1
4	P-3530703	88mm Piston ring set	1
5	P-3520110	Piston Bottom 88mm	1
6	P-2510215	20mm Internal Snap Ring	2
7	P-3055279	78mm Wrist pin	1

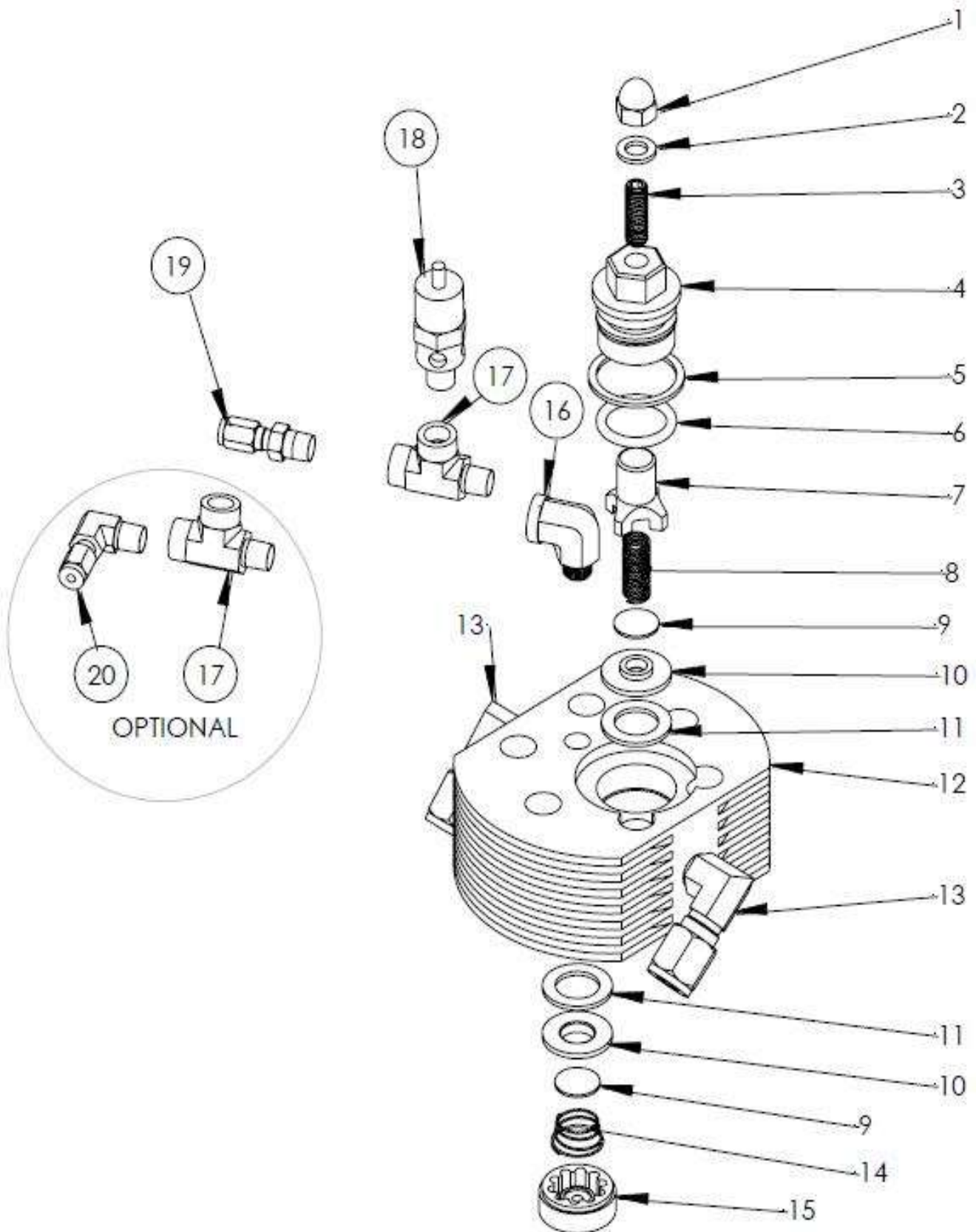
1500 Parts Manual V1.1



Number	Part number	Description	Quantity
1	P-2560103	M8 x 30 Socket Head Cap Screw	6
2	See Page 6	Stage 3 Head	1
3	P-1010112	28 mm Cylinder	1
4	OR-V142	Cylinder O-ring	1
5	P-1010102	Guide Cylinder	1
6	OR-BH2X70	Guide Cylinder O-ring	1
7	P-3530302	28 mm Ring Set	1
8	P-3520106	28 mm Piston	1
9	P-3520103	Guide Piston (with pin and clips)	1

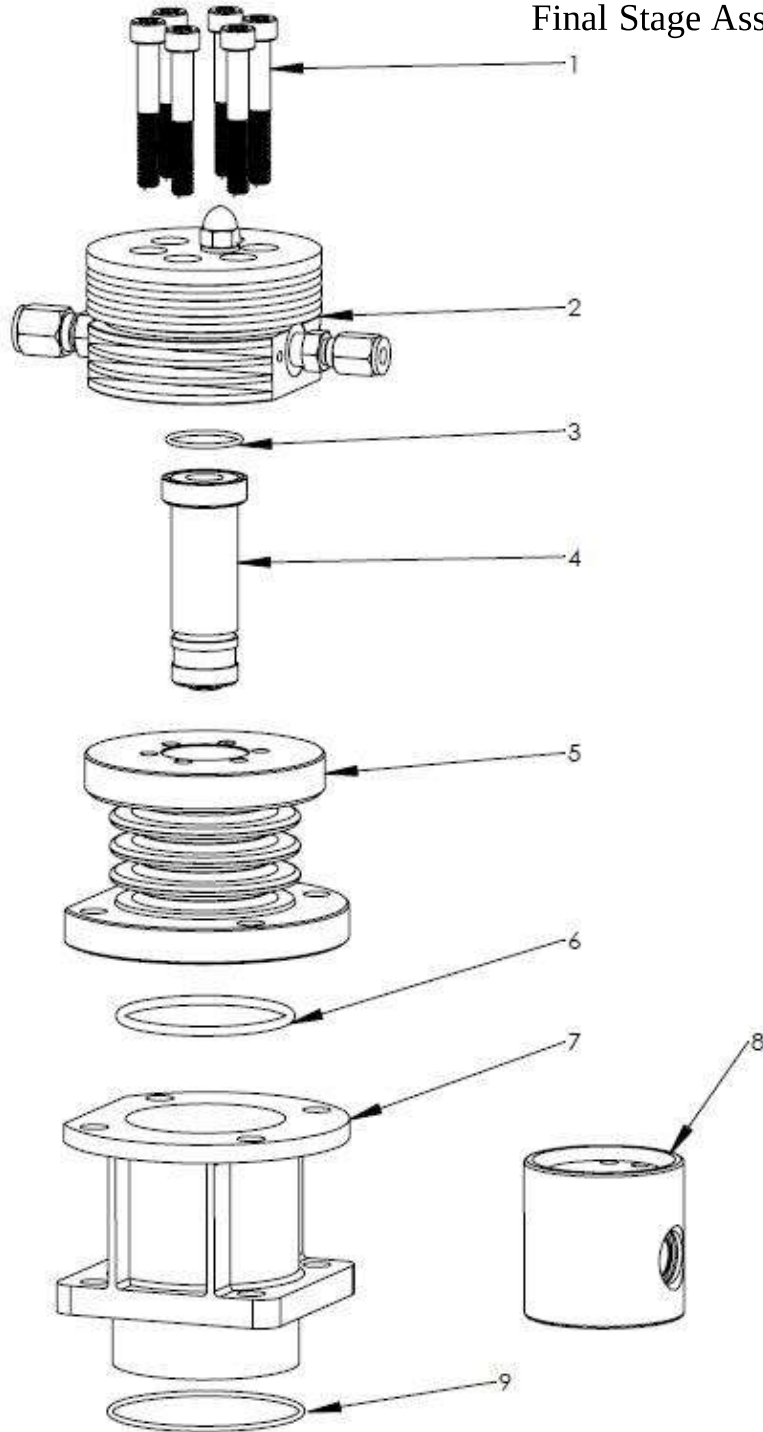
Third Stage Head Assembly

Parts Table Located on Page



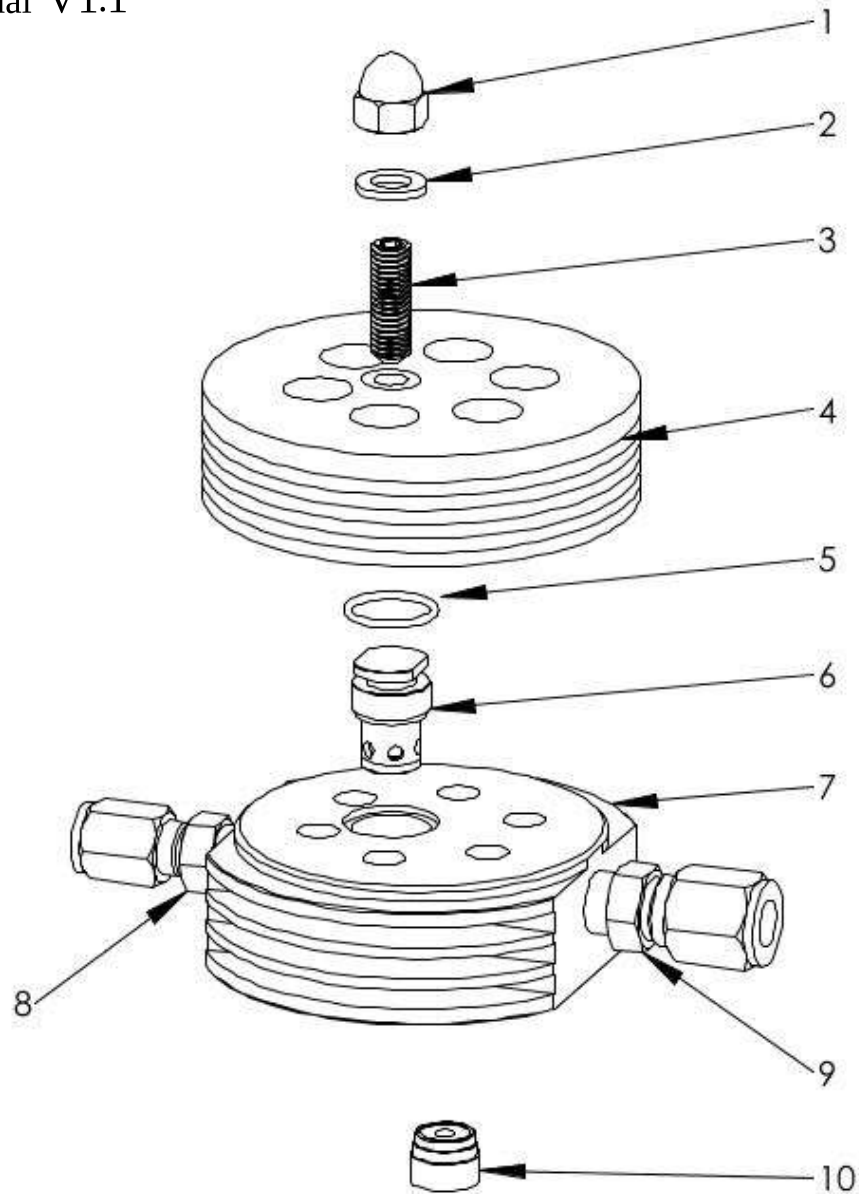
Number	Part number	Description	Quantity
1	P-2530101	M8 Acorn Nut	1
2	P-4030101	M8 Copper Washer	1
3	P-2550101	M8 Set Screw	1
4	P-1540101	3 rd Stage Exhaust Valve body	1
5	P-1510101	Steel Washer	1
6	OR-V212	O-Ring	1
7	P-1540102	Exhaust Valve Hold Down	1
8	P-1530101	Exhaust Valve Spring	1
9	P-1545101	3 rd Stage Valve Disc	2
10	P-1550101	3 rd Stage Exhaust Valve Seat	2
11	P-4030102	Copper Seal	2
12	P-2010102	3 rd Stage Head	1
13	F-01252	¼" MNPT x 3/8" Tube Elbow	1
14	P-1530102	Intake Valve Spring	1
15	P-1540103	Intake Valve Body	1
16	F-02210	1/8" Street Elbow	1
17	F-02410	1/8" T Fitting	1
18	A-R2015	Relief Valve	1
19	F-B-02150	1/8" Tube to 1/8" NPT Male Fitting	1
20	F-B-02250	1/8" NPT Male to 1/8" Tube Elbow	1

Final Stage Assembly



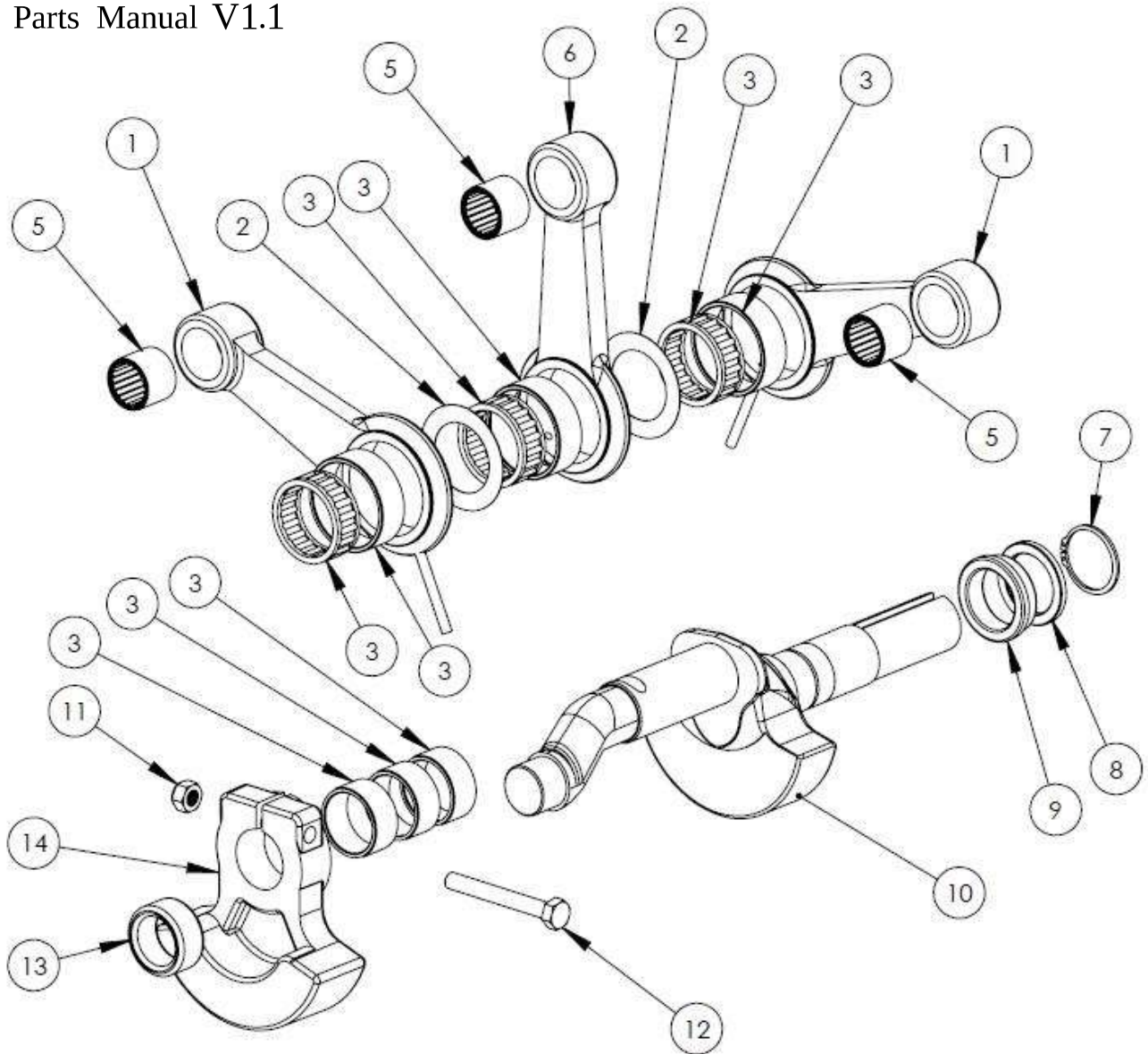
Number	Part number	Description	Quantity
1	P-2560102	M8 x 55 Socket Head Cap Screw	6
2	See Page 8	Final Stage Head	1
3	OR-V022-90	O-Ring	1
4	P-3520162	Final Piston and Sleeve (12 mm)	1
5	P-1010106	Final Cylinder	1
6	OR-V142	Cylinder O-ring	1
7	P-1010103	Guide Cylinder	1
8	P-3520103	Guide Piston (with pin and clips)	1
9	OR-BH2X70	Guide Cylinder O-ring	1

1500 Parts Manual V1.1



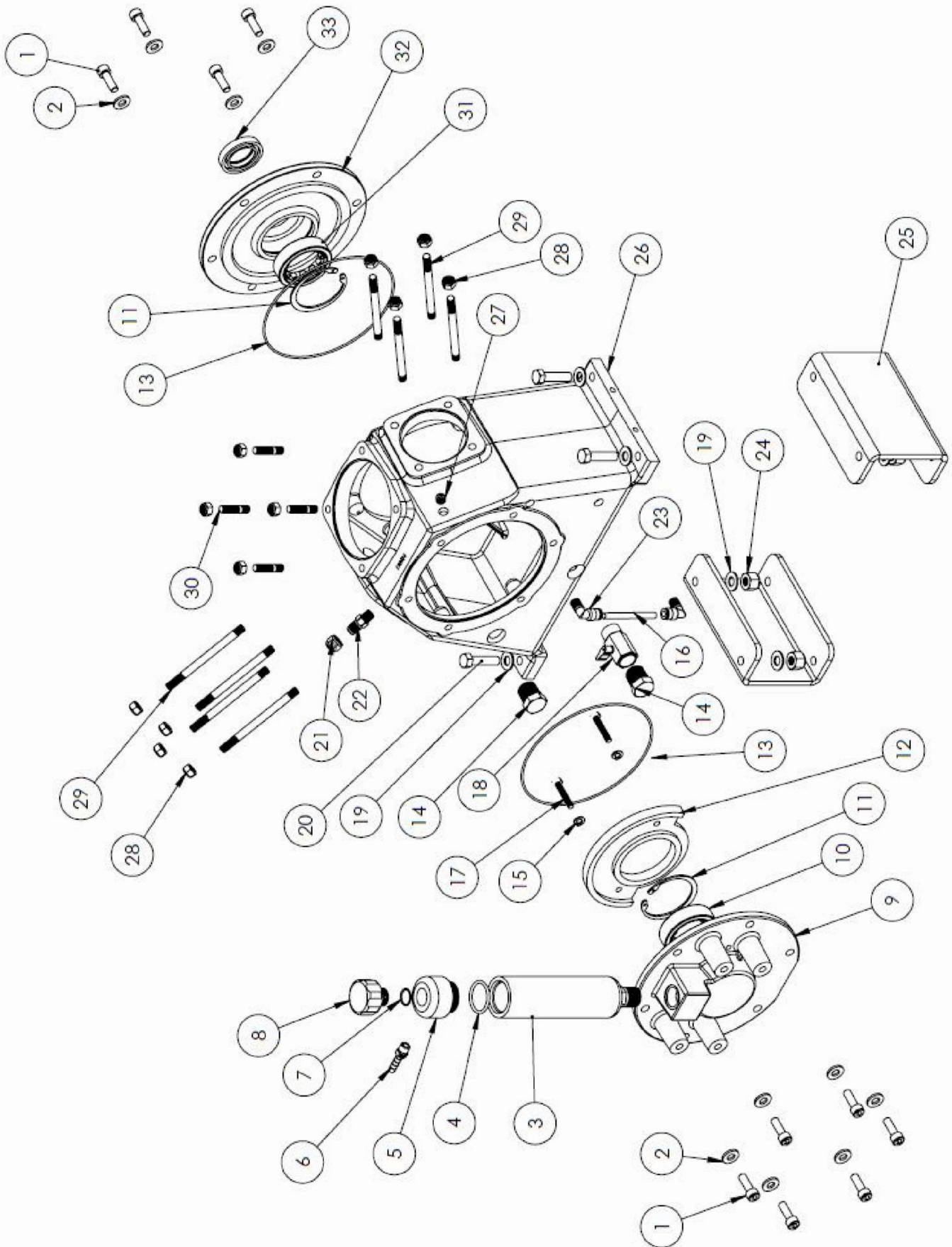
Number	Part number	Description	Quantity
1	P-2530101	Acorn Nut	1
2	P-4030101	M8 Copper Washer	1
3	P-2550101	Set Screw	1
4	P-2020161	Head Cap (Red)	1
5	OR-V016-90	Final Valve O-ring	1
6	P-15251010	Final Exhaust Valve	1
7	P-2010103	Final Head	1
8	F-01150	1/4" MNPT x 1/4" Tube	1
9	F-011511	1/4" MNPT x 3/8" Tube	1
10	P-1525102	Final Intake Valve	1

1500 Parts Manual V1.1

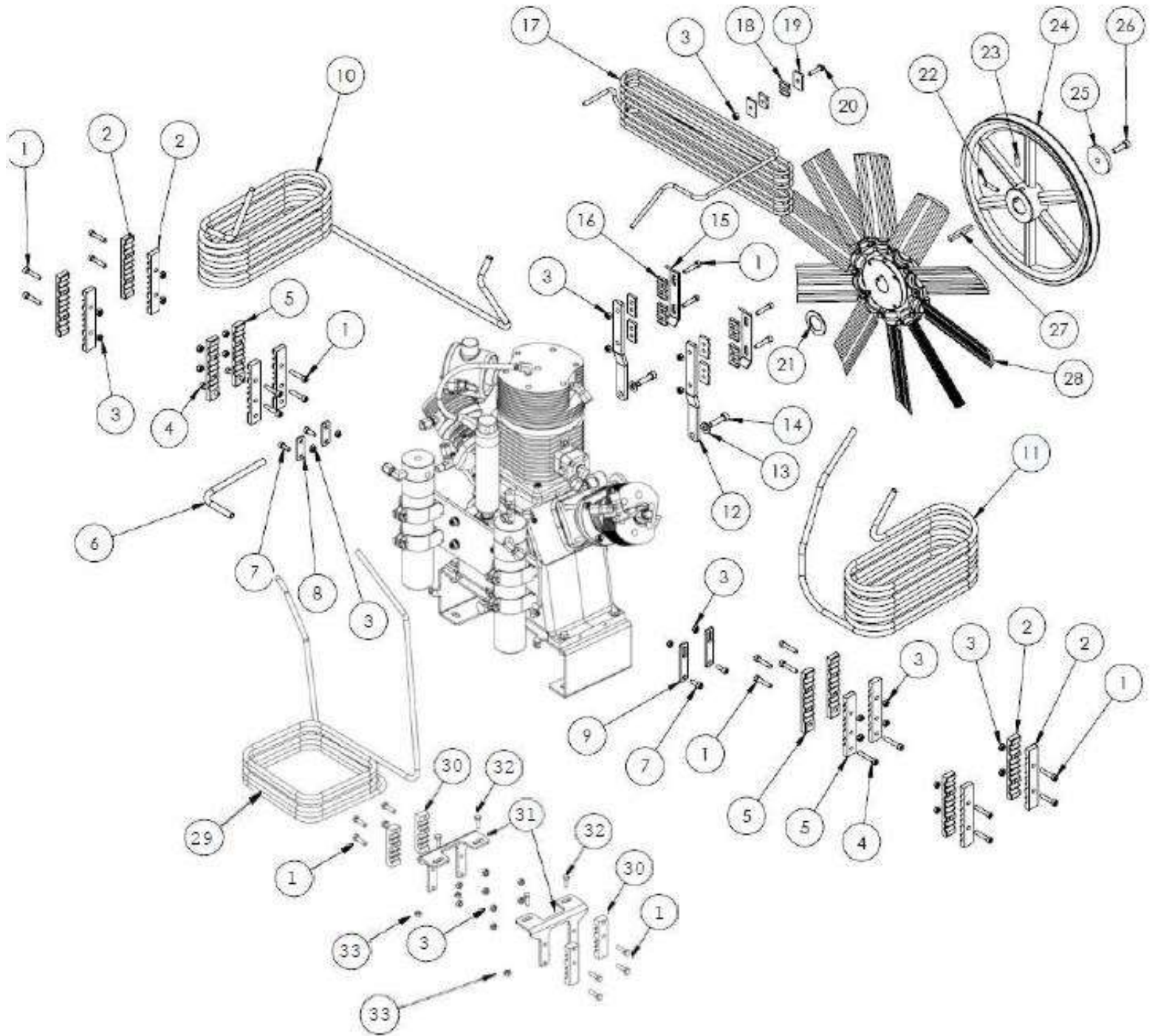


Number	Part number	Description	Quantity
1	P-3050101	Connecting Rod with Splasher	2
2	P-3010101	Shim	2
3	P-3060101	Needle Cage – Purchased Together	3
4	P-3060101	Outer Race – Purchased Together	3
5	P-3060101	Inner Race – Purchased Together	3
6	P-3050101	Connecting Rod (without Splasher)	3
7	P-2510251	Snap Clip	1
8	P-3060103	Spacer (purchased with part 31 in Crankcase)	1
9	P-3060103	Inner Race (purchased with part 31 in Crankcase)	1
10	P-3040101	Crankshaft	1
11	P-2530202	M8 Nylon Insert Lock Nut	1
12	P-2570201	M8 x 65 Hbolt	1
13	P-3060104	Inner Race (purchased with part 10 in Crankcase)	1
14	P-3010102	Counterweight	1

1500 Parts Manual V1.1

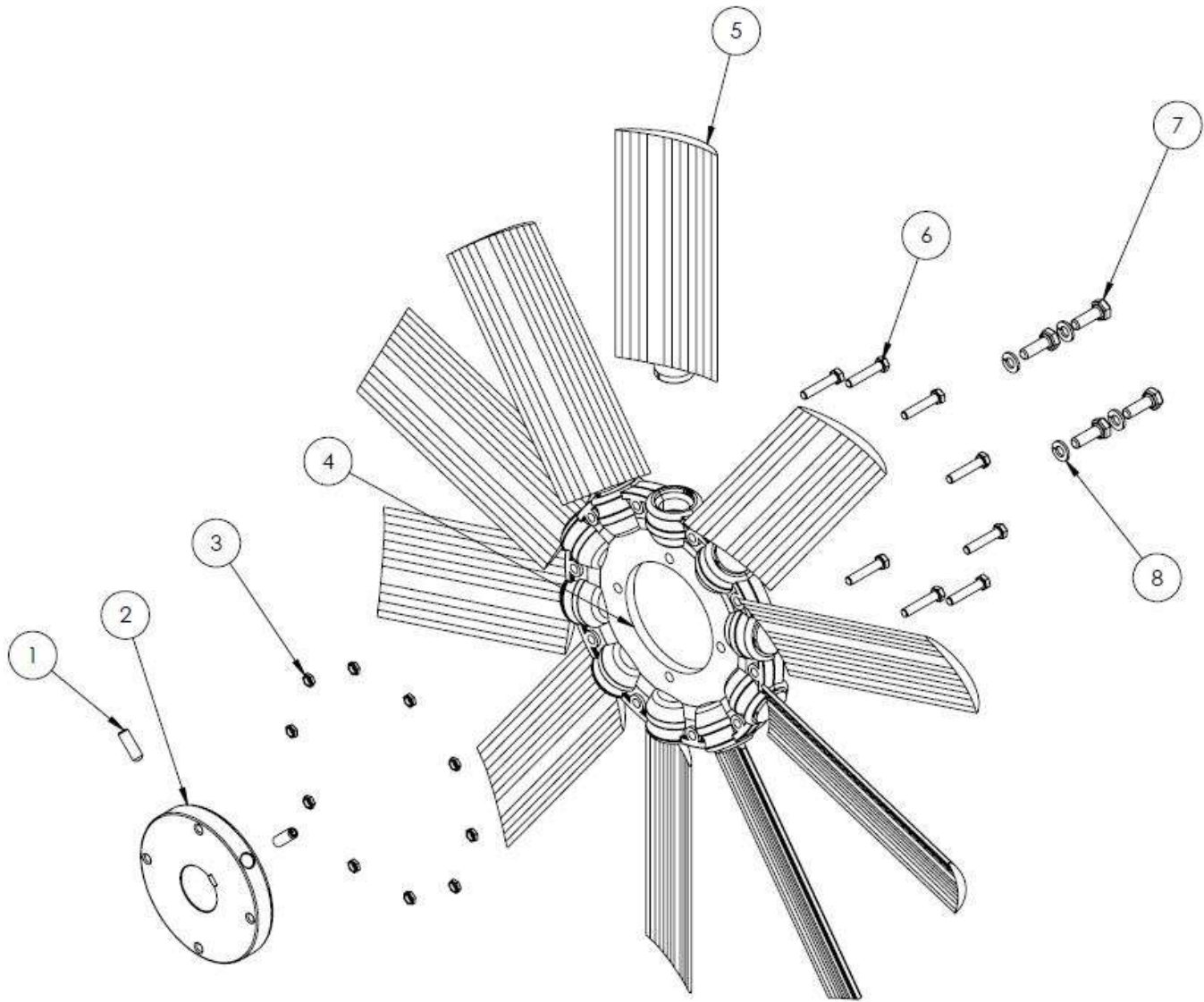


Number	Part number	Description	Quantity
1	P-2560105	M8 x 25 Socket Head Cap Screw	10
2	P-2520101	M8 Washer	10
3	P-3010106	Oil Tube	1
4	OR-B916	O-ring -916 Buna 90 Dur	1
5	P-3010107	Oil Tube Top	1
6	F-01162	1/4" hose Barb x 1/8" MNPT	1
7	OR-V016-90	O-ring -016 Viton 75 Dur	1
8	P-3010105	Oil Fill Cap	1
9	P-3030101	Crankcase Cover	1
10	P-3060104	Case cover Bearing (inner race shown with Crankshaft)	1
11	P-2510201	Snap Ring	2
12	P-3010208	Baffle Plate	1
13	OR-H2X150	O-ring H2 x 150 Buna 70Dur	2
14	F-09510	1/2" Plug	2
15	P-2520301	M6 Split Lock Washer	2
16	P-3010108	Sight Glass Tube	1
17	P-2560109	M6 x 25 SHCS	2
18	F-09160	1/2" Ball Valve	1
19	P-2520102	3/8" Flat Washer	8
20	P-2570203	3/8" x 1.5" HHCS	4
21	F-03560	#4 JIC Cap	1
22	F-02131	#4 JIC Male x 1/8" MNPT	1
23	F-02252	Sight Glass Fitting	2
24	P-2530302	3/8" Nylon Inset Lock Nut	4
25	P-3010207	Crankcase Riser	2
26	P-3020101	Crankcase	1
27	F-02502	1/8" HH Pipe Plug	1
28	P-2530202	M8 Nylon Inset Lock Nut	12
29	P-2540101	DIN 939 x 95 mm Stud	8
30	P-2540102	DIN 939 x 25 mm Stud	4
31	P-3060103	Case Cover Bearing (Inner Race shown with Crankshaft)	1
32	P-3030102	Crankcase Cover	1
33	P-4030201	Shaft Seal 30 x 48 x 8	1



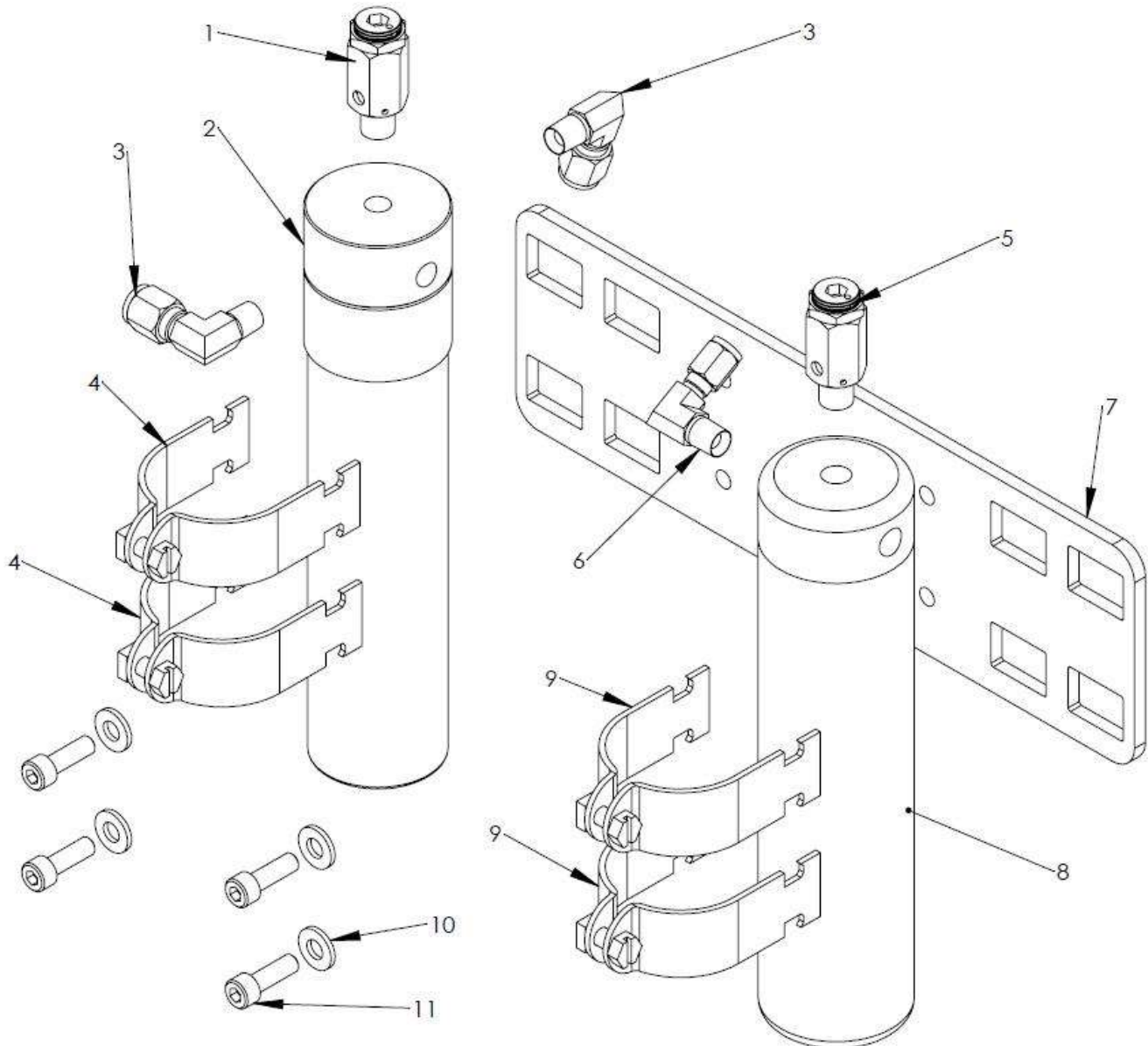
Number	Part number	Description	Quantity
1	P-2560106	M6 x 30 SHCS	28
2	P-6020110	Intercooler Tube Clamp (Outer)	8
3	P-2530201	M6 Nylon Insert Lock Nut	37
4	P-2560107	M6 x 35 SHCS	4
5	P-6020111	Intercooler Tube Clamp (Inner)	8
6	P-6040102	L Tube (dia 0.380) Wall thickness=0.049	1
7	P-2560108	M6 x 16 SHCS	4
8	P-6020301	IC Tab 1	2
9	P-6020302	IC Tab 2	2
10	P-6020202	Intercooler Tube 3 (Stage 3- Stage 4)	1
11	P-6020251	Intercooler Tube 2 (Stage 2- Stage 3)	1
12	P-6030111	Aftercooler Bracket 1 (Inner)	2
13	P-2520101	M8 Flat Washer	2
14	P-2560103	M8 x 30 SHCS	2
15	P-6030110	Aftercooler Bracket 2 (Outer)	2
16	P-6030201	Aftercooler Plastic	8
17	P-6030101	Aftercooler Tube	1
18	P-6030202	Aftercooler Plastic Short	2
19	P-6030203	Aftercooler Tab	2
20	P-2560109	M6 x 25 SHCS	1
21	P-2520201	Shaft Spacer	1
22	P-2550104	5/16" x 1" Square Head Set Screw (cut tip)	1
23	P-2550103	5/16" x 3/4" Square Head Set Screw (cut tip)	2
24	P-3080101	Flywheel	1
25	P-2520202	Crankshaft Washer	1
26	P-2560105	M8 x 25 SHCS	1
27	P-6510104	1/4" x 1/2" x 2" Square Key	2
28	P-3070104	Fan Assembly	1
29	P-6020252	Intercooler Tube 1 (Stage 1- Stage 2)	1
30	P-6020101	Intercooler Bottom Clamp	4
31	P-6020137	Intercooler Bottom Bracket	2
32	P-2570209	5/16" x 3/4" HHCS	4
33	P-2530304	5/16" Nylon Lock Nut	4

1500 Parts Manual V1.1



Number	Part number	Description	Quantity
1	P-2550108	5/16" x 3/4" Socket Set Screw (cup point)	2
2	P-3070101	Fan Bushing	1
3	P-2530401	M5 Nut	10
4	P-3070102	Fan Hub Assembly	1
5	P-3070103	Fan Blade	10
6	P2570205	M5 x 1" H Bolt	10
7	P-2570204	1/4" x 3/4" H Bolt	4
8	P-2520310	1/4" Split Lock Washer	4
Fan Assembly	P-3070104	Parts 3, 4, 5, and 6 Assembled	1

1500 Parts Manual V1.1



Number	Part number	Description	Quantity
1	A-R2021	2 nd Stage Relief Valve	1
2	P-6040101	Interstage Moisture Separator	2
3	F-01252	Elbow (1/4" NPT x 3/8" Tube Elbow)	2
4	P-2510101	Clamps (2 1/4 " OD)	2
5	A-R2015	3 rd Stage Relief Valve	1
6	F-01251	Elbow (1/4" NPT x 1/4" Tube Elbow)	1
7	P-6040155	Separator Mounting Plate	1
9	P-2510102	Clamps (2" Pipe)	2
10	P-2520101	M8 Flat Washer	4
11	P-2560105	M8 x 25 SHCS	4