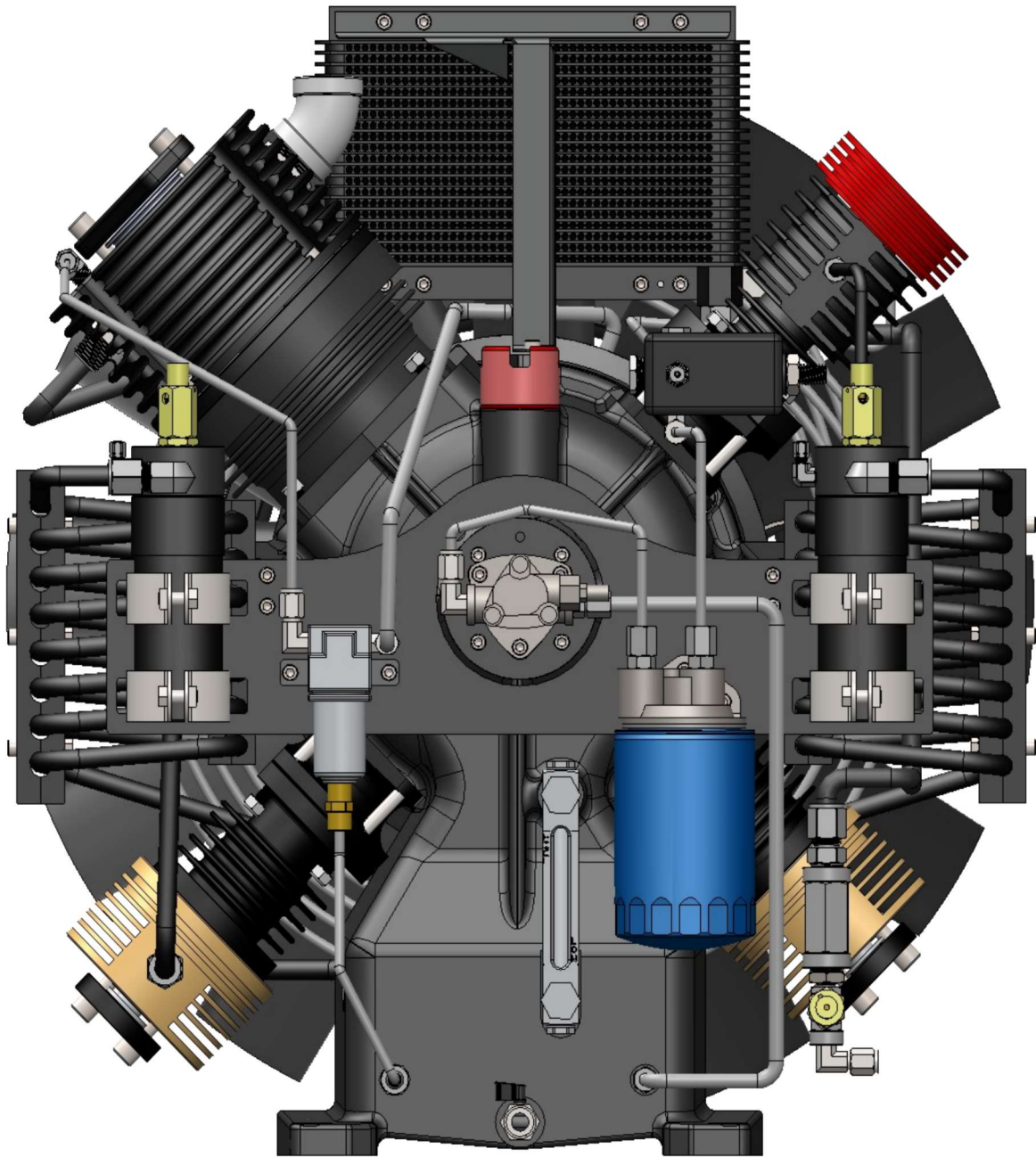


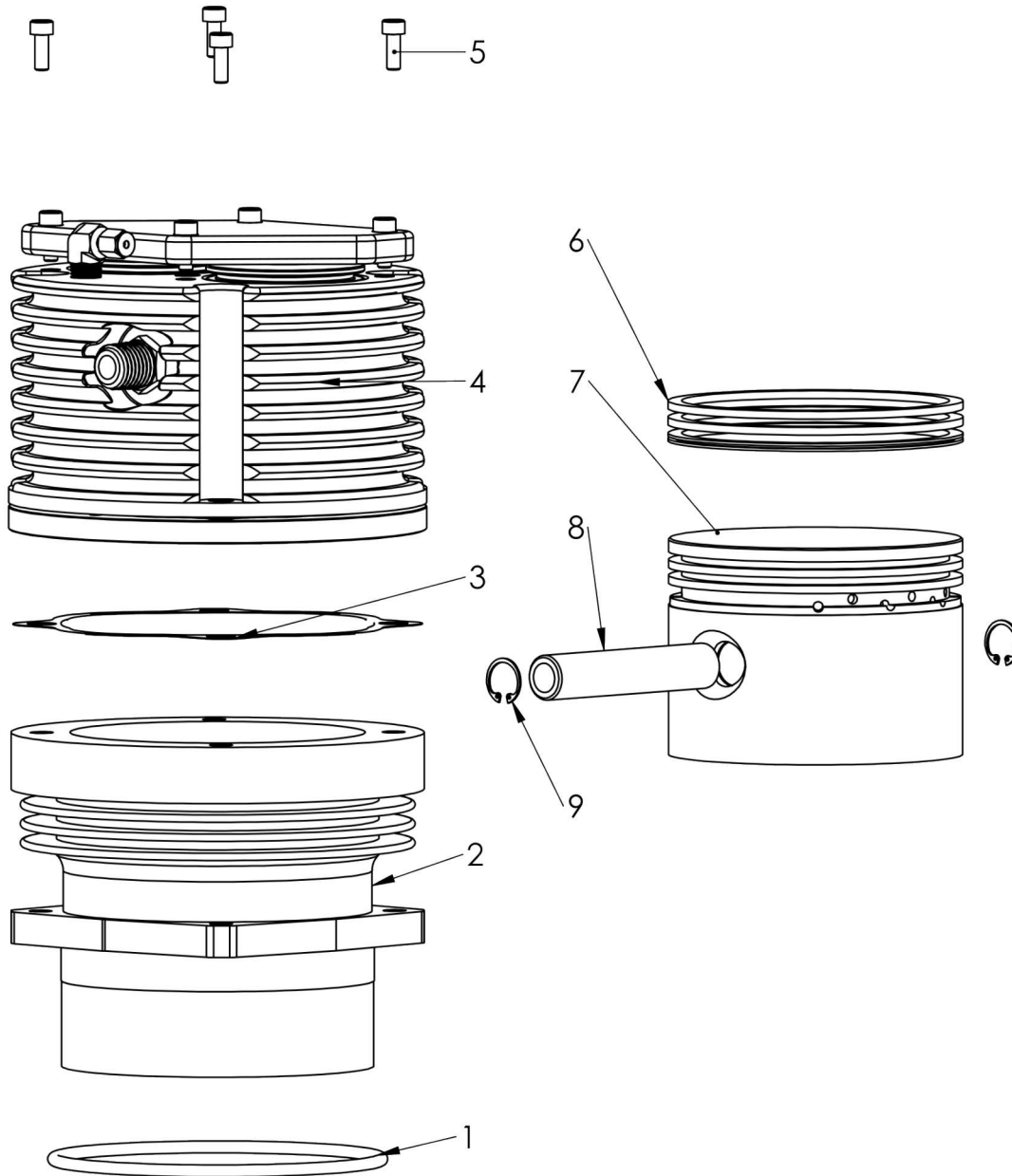


ARCTIC COMPRESSOR



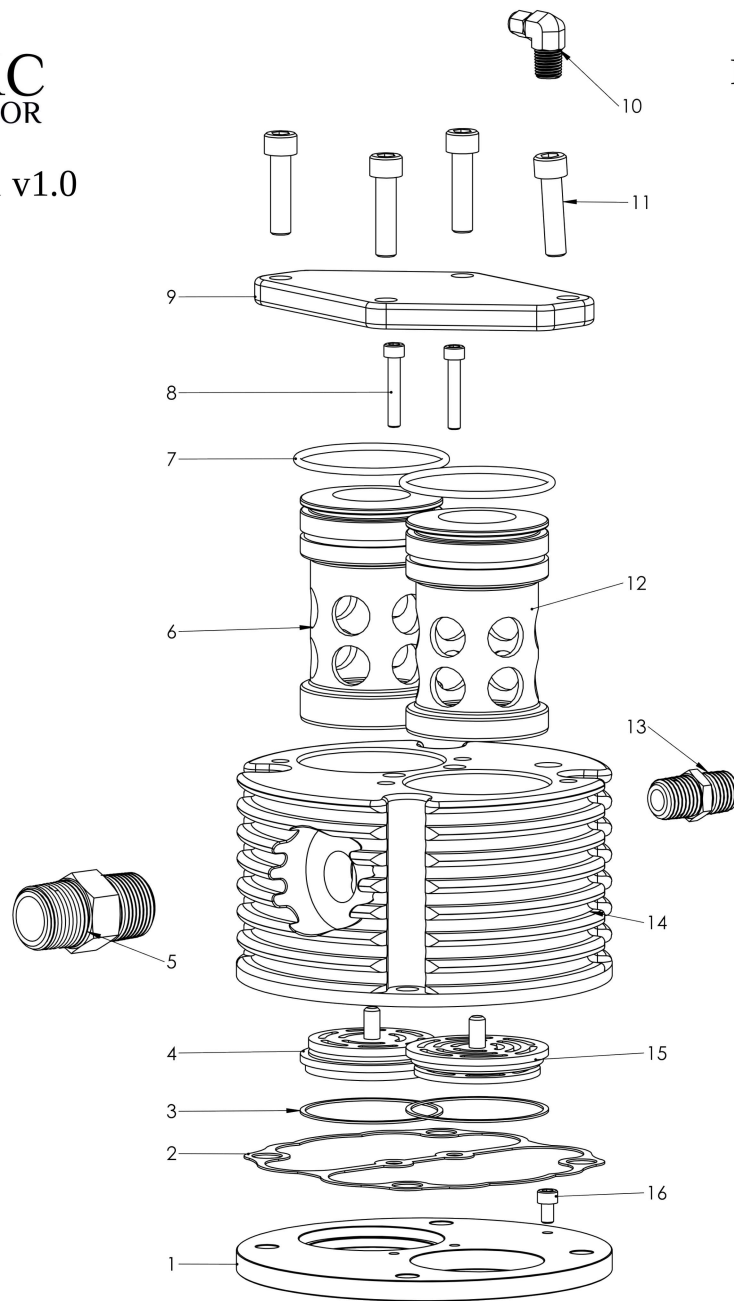
A2500 Block Parts Manual Version 1.0

2500 Parts Manual v1.0

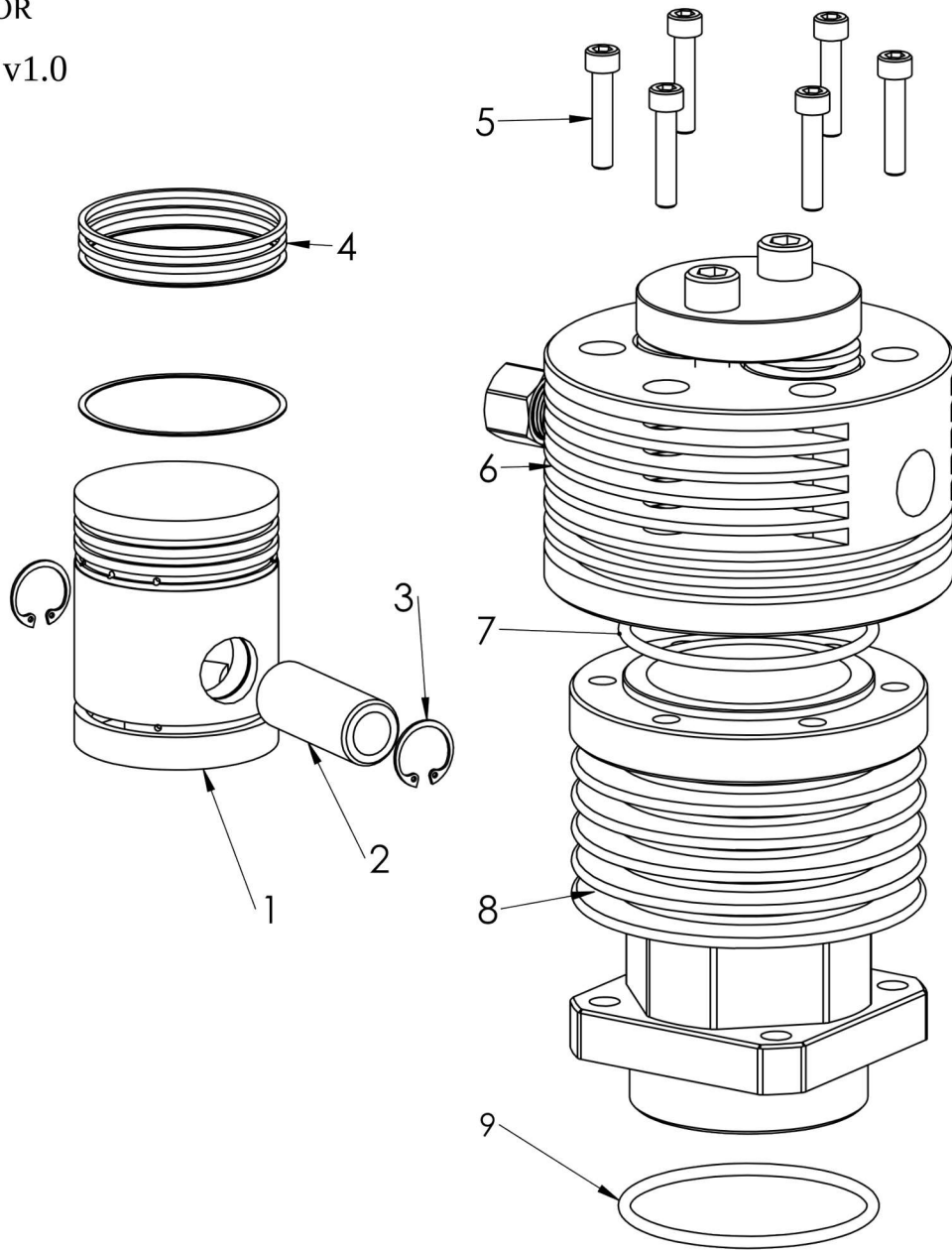


	Part Number	Description	Quantity
1	OR-B2X135	O Ring	1
2	P-1010115	1 st Stage cylinder	1
3	P-4020201	1 st Stage cylinder gasket	1
4	P-2010203	1 st stage head	1
5	P-2560211	SHCS M10x40	4
6	P-3530201	130mm Ring Set	1
7	P-3520201	130mm Piston	1
8	P-3055130	130mm Wrist pin	1
9	P-2510215	20mm Clip ring	2

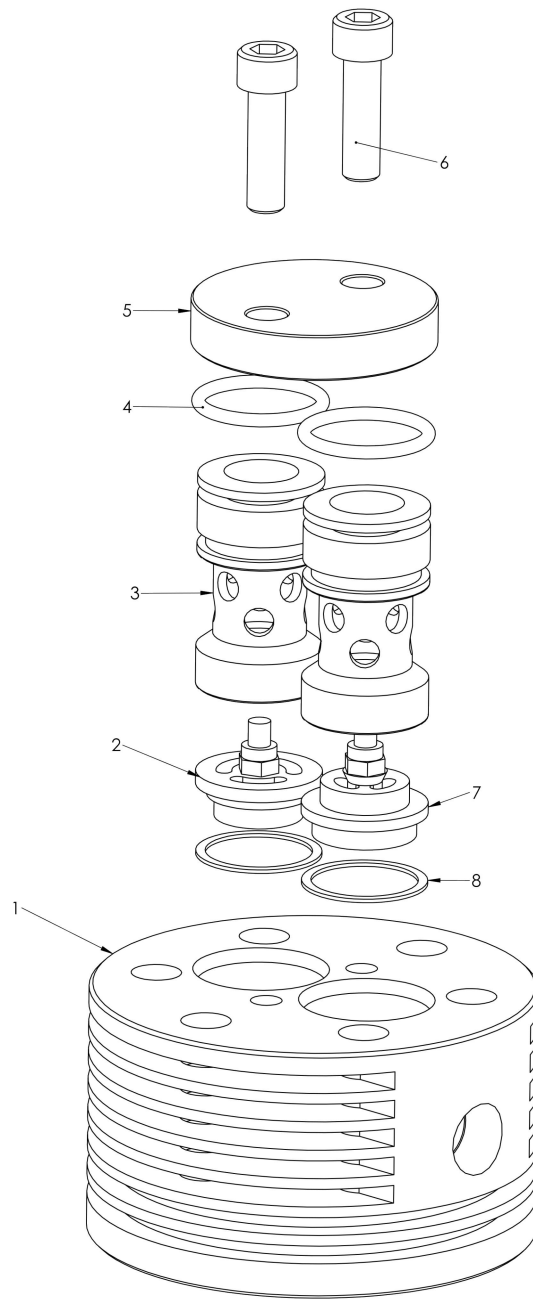
First Stage Head Assembly



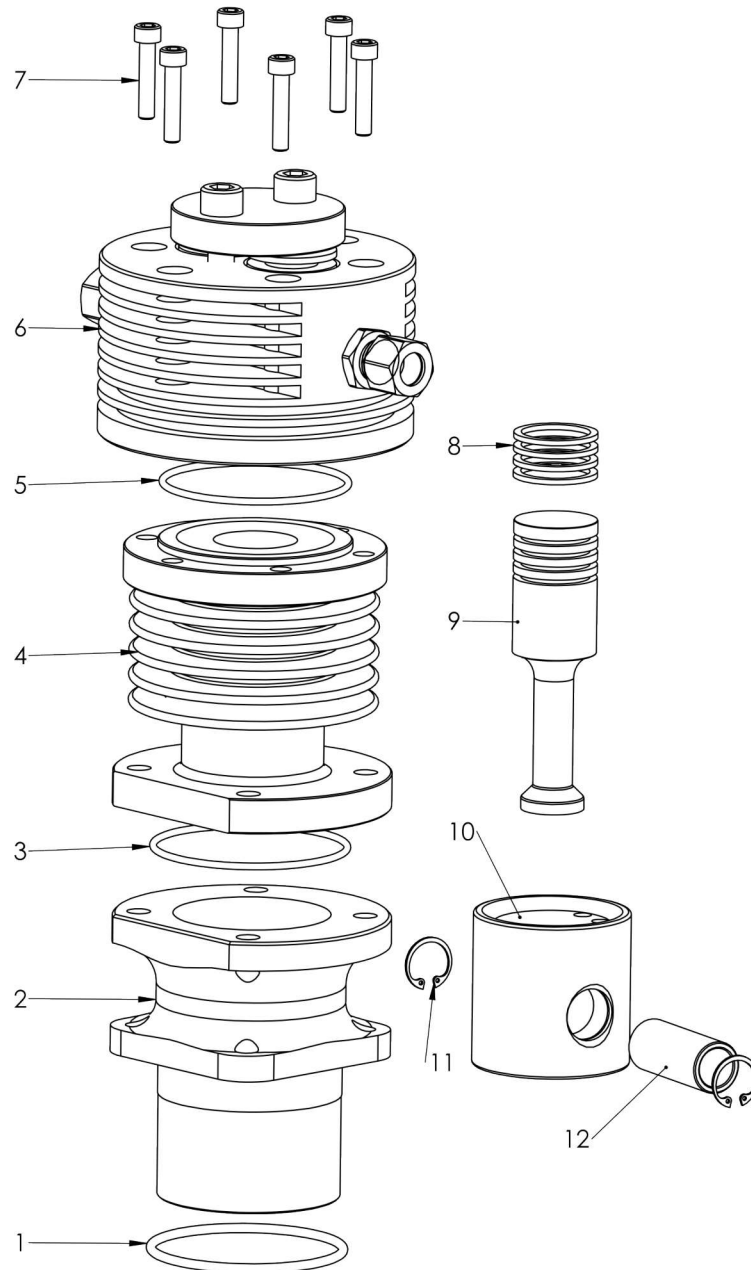
	Part Number	Description	Quantity
1	P-2010202	1st Stage head bottom	1
2	P-4020205	1 st stage head gasket	1
3	P-4020203	66mm ID 70mmOD x 1mm Copper Gasket	2
4	P-1525108	1 st stage exhaust valve	1
5	F-25111	1" NPT Hex Nipple	1
6	P-2030202	1 st stage exhaust valve hold down	1
7	OR-V145-90	O Ring	2
8	P-2560107	SHCS M6-1.0x35	2
9	P-2030201	1 st stage valve cover	1
10	F-01250	¼ MNPT x tube elbow	1
11	P-2560210	SHCS M10-1.5 x40	4
12	P-2030203	1 st stage intake valve hold down	1
13	F-011516	½" MNPT x ½" Tube Straight	1
14	P-2010201	1st Stage head top	1
15	P-1525107	1 st stage intake valve	1
16	P-2560114	SHCS M6-1.0 x 10mm	1



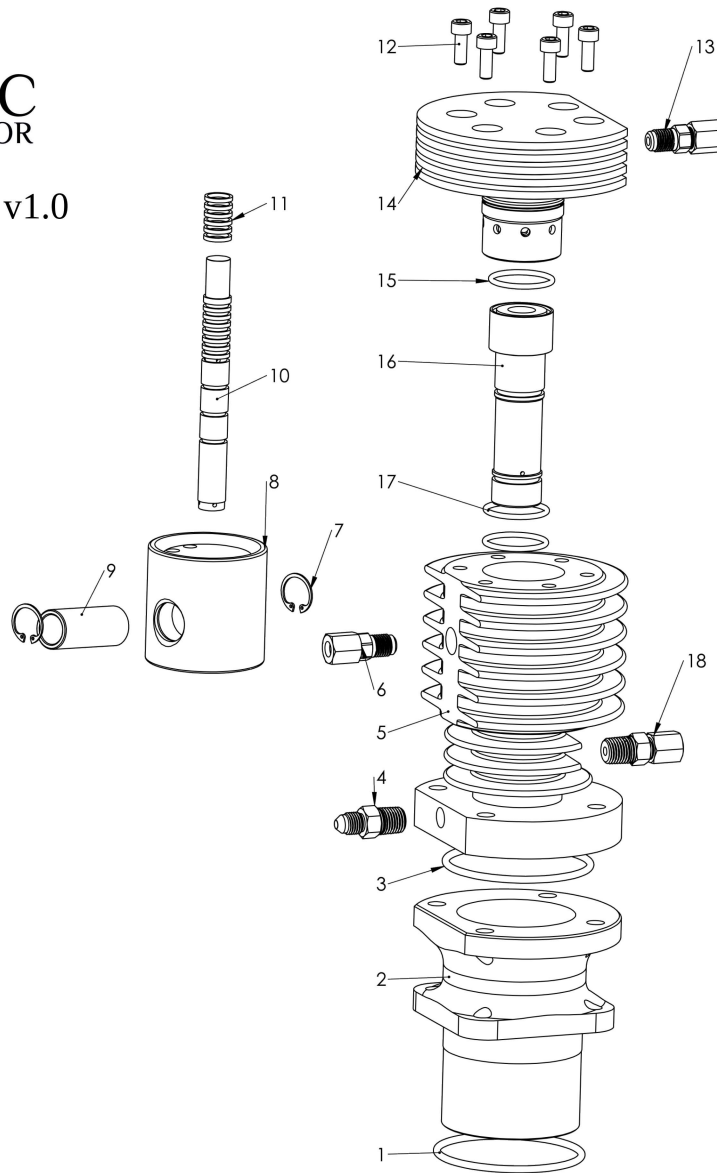
	Part Number	Description	Quantity
1	P-3520202	60mm Piston	1
2	P-3055260	60mm Wrist pin	1
3	P-2510215	20mm Clip ring	2
4	P-3530202	60mm Ring Set	1
5	P-2560104	SHCS M8-1.25 x35	6
6	P-2010204	2 nd stage head	1
7	OR-V148-90	O Ring	1
8	P-1010116	2 nd Stage cylinder	1
9	OR-BH2X70	O Ring	1



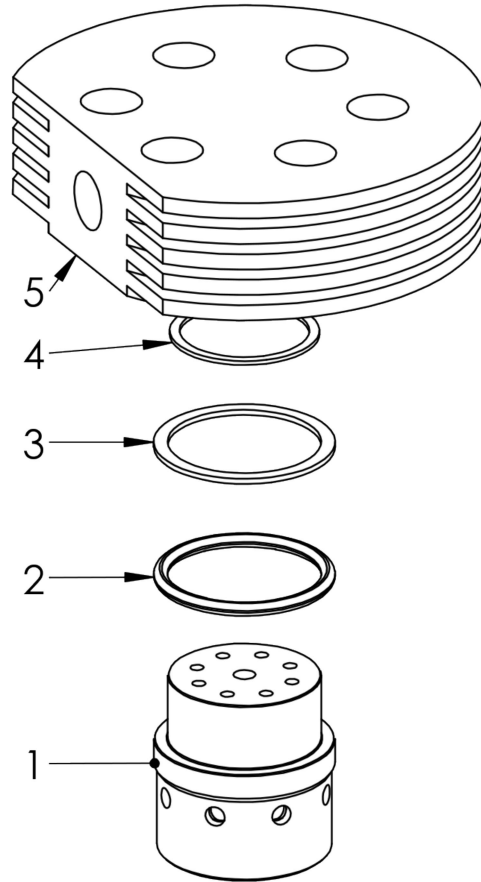
	Part Number	Description	Quantity
1	P-2010125	2 nd / 3 rd stage head	1
2	P-1525104	2 nd stage Exhaust Valve	1
	P-1525106	3 rd stage Exhaust Valve	1
3	P-2030204	Valve hold down	2
4	OR-V216-90	O Ring	2
5	P-2030205	Valve cover	1
6	P-2560209	SHCS M10-1.5 x30mm	2
	P-1525103	2 nd stage intake valve	1
7	P-1525105	3 rd stage intake valve	1
	P-4030103	copper gasket	2



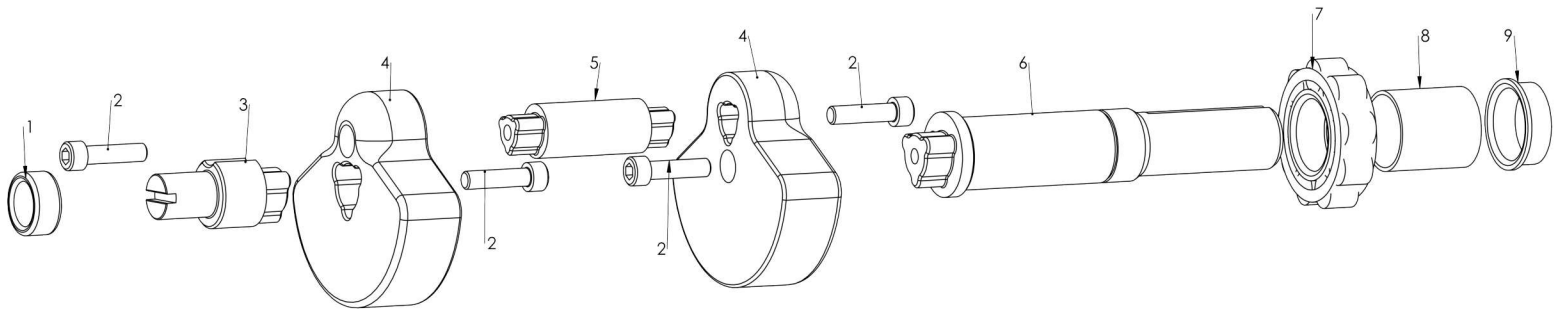
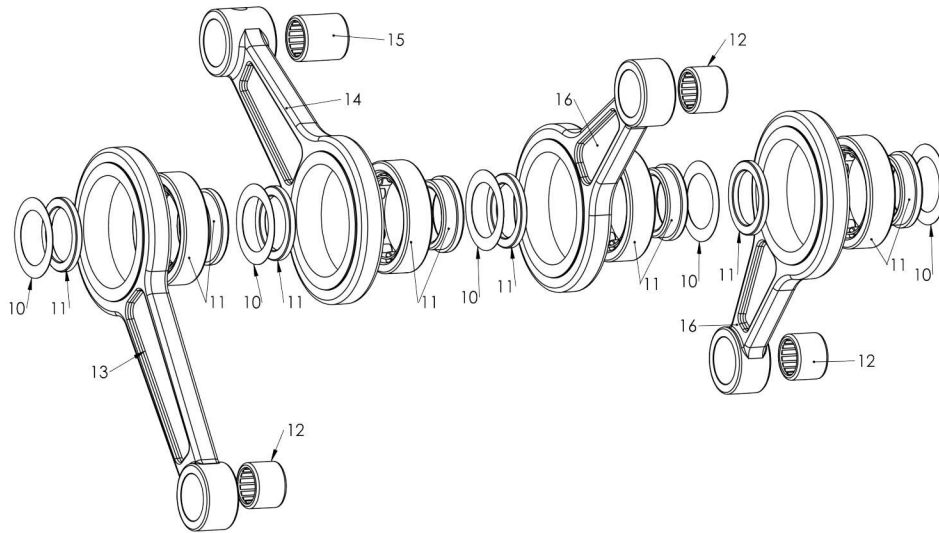
	Part Number	Description	Quantity
1	OR-BH2X70	O Ring	1
2	P-1010117	60mm guide cylinder	1
3	OR-V142	O Ring	1
4	P-1010118	32mm cylinder	1
5	OR-V148-90	O Ring	1
6	P-2010205	3 rd Stage Head Assembly	1
7	P-2560104	SHCS M8-1.25 x35	6
8	P-3530203	32mm Ring Set	1
9	P-3520203	32mm piston	1
10	P-3520960	60mm guide piston	1
11	P-2510215	20mm Clip ring	2
12	P-3055260	60mm Wrist pin	1



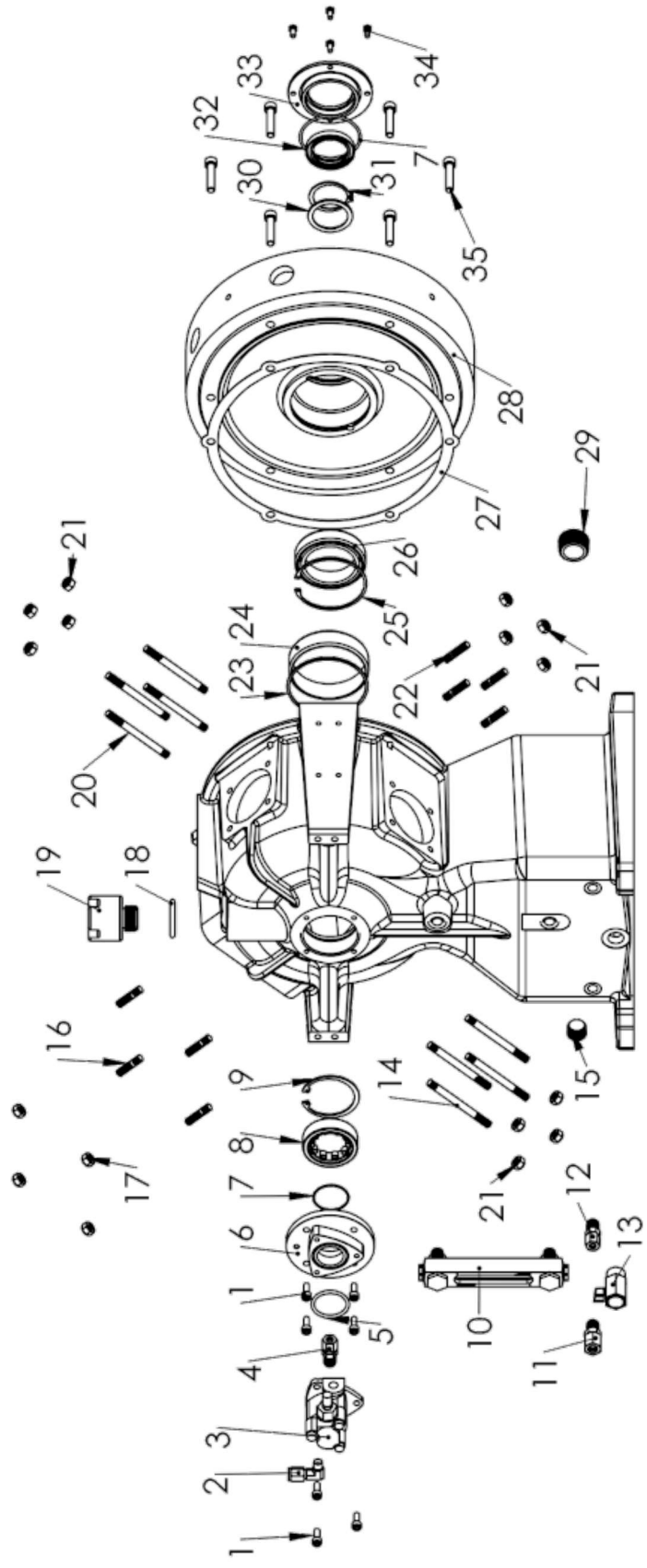
	Part Number	Description	Quantity
1	OR-BH2X70	O Ring	1
2	P-1010117	60mm guide cylinder	1
3	OR-V142	O Ring	1
4	F-02131	1/8 MNPT x #4 JIC straight	1
5	P-1010119	Final stage cylinder	1
6	F-011511	1/4 MNPT x 3/8 Tube	1
7	P-2510215	20mm Clip ring	2
8	P-3520960	60mm guide piston	1
9	P-3055260	60mm wrist pin	1
10	P-3520204	14mm Piston	1
11	P-3530204	14mm Ring Set	1
12	P-2560104	SHCS M8-1.25 x 35mm	6
13	F-01150	1/4 MNPT x 1/4 Tube	1
14	P-2010206	Final Stage Head Assembly	1
15	OR-V022-90	O Ring	1
16	P-3520205	14mm Final Piston Sleeve	1
17	OR-V020-90	O Ring	2
18	F-01152	1/8 MNPT x 1/4 Tube	1



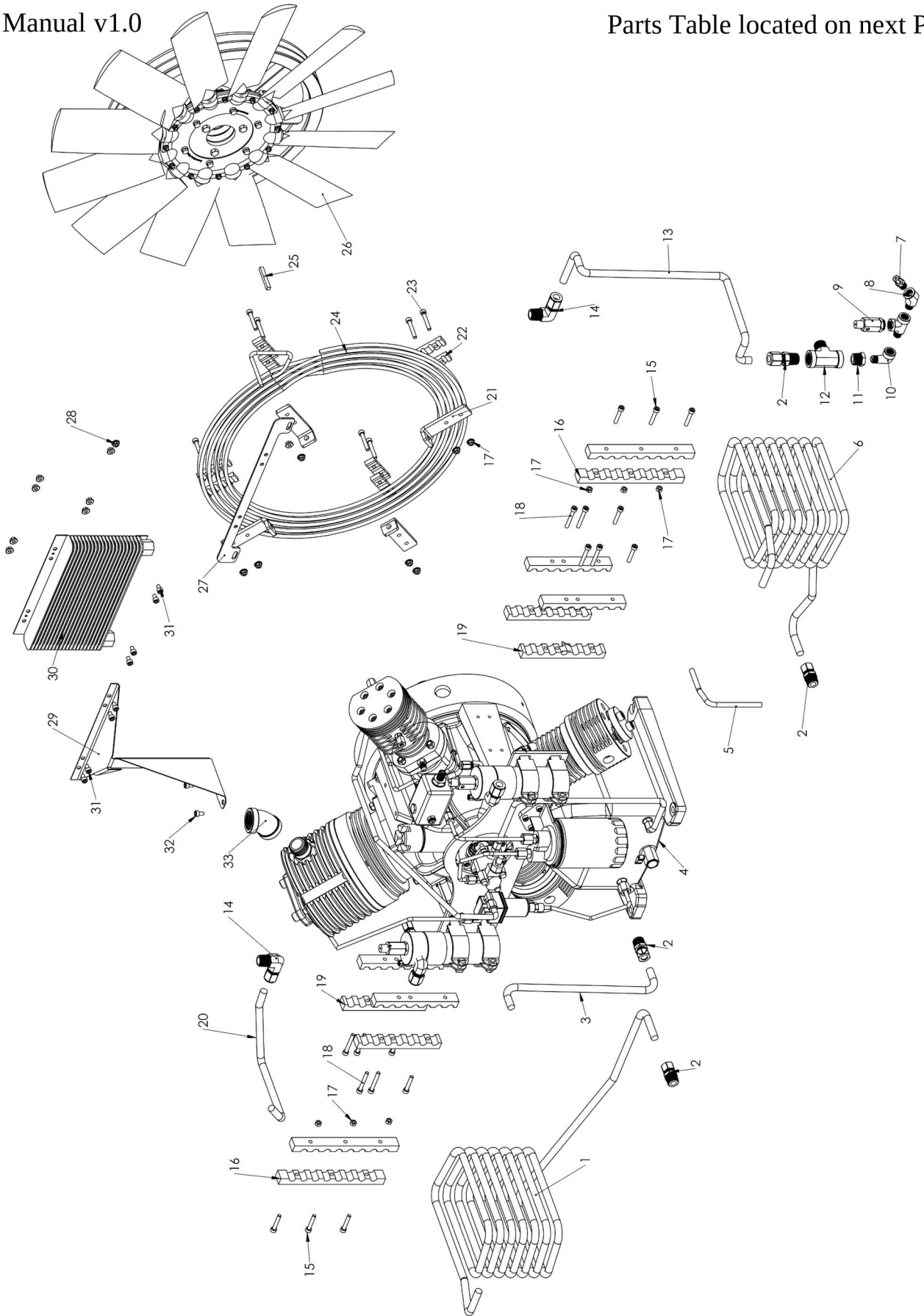
	Part Number	Description	Quantity
1	P-1525115	Final Stage Valve	1
2	OR-V220-90	O Ring	1
3	OR-BU220P	Back up ring	1
4	P-4030103	Copper Gasket	1
5	P-2020201	Final stage head	1



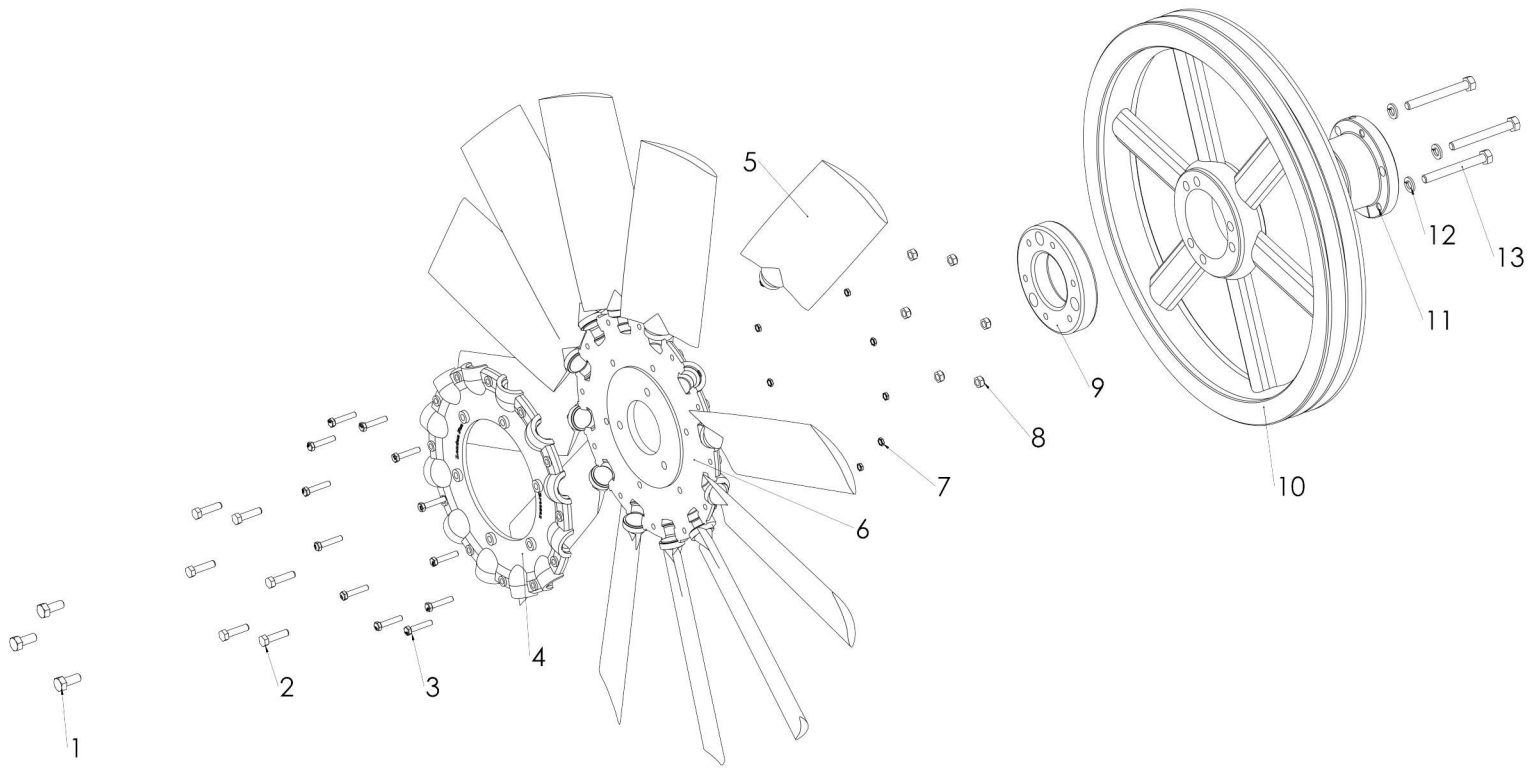
	Part Number	Description	Quantity
1	P-3060104	Oil Shaft bearing Inner race	1
2	P-2560208	SHCS M10 -1.5 x 25	4
3	P-3040204	Oil shaft	1
4	P-3040201	Counterweight	2
5	P-3040203	Crankshaft 30mm pin	1
6	P-3040202	Drive Shaft	1
7	P-3060205	Case Cover Inner Bearing inner race and roller cage	1
8	P-3040206	Drive shaft bearing spacer	1
9	P-3060208	Case Cover Outer Bearing inner race	1
10	P-2520204	Shim	5
11	P-3060203	Connecting Rod Bearing including: Outer race/ Needle Cage Inner Race/ Ring	4
12	P-3060102	Stage 2-4 Wrist needle bearing	3
13	P-3050202	Stage 2 Connecting rod	1
14	P-3050203	Stage 1 Connecting rod	1
15	P-3060201	Stage 1 Wrist needle bearing	1
16	P-3050201	Stage 3/4 Connecting rod	2



	Part Number	Description	Quantity
1	P-2560108	SHCS M6 x 16	7
2	F-01254	¼ FNPT x ¼ Tube elbow	1
3	P-3065201	A2500 Oil Pump	1
4	F-01152	¼ FNPT - ¼ Tube	3
5	OR-B029	O Ring	1
6	P-3065202	A2500 Oil Pump Plate	1
7	OR-B037	O Ring	1
8	P-3060104	Crankcase front bearing Outer race and roller cage	1
9	P-2510201	Snap Ring	1
10	P-3010303	Oil Level Sight glass	1
11	F-011511	1/4 MNPT x 3/8 Tube Straight	1
12	F-01150	2/4 MNPT x ¼ Tube Straight	1
13	F-09160	1/2" BNPT Ball Valve	1
14	P-2540104	DIN 939 M8 x 80 stud	4
15	F-09511	1/2" NPT Hollow Head Hex Plug	1
16	P-2540105	DIN 939 M10 x 25 stud	4
17	P-2530306	M10 -1.5 Nylon Lock nut	4
18	OR-V125-90	O Ring	1
19	P-3010302	A2500 Oil Cap	1
20	P-2540103	DIN 939 M8 x 85 stud	4
21	P-2530202	M8 nylon lock nut	12
22	P-2540101	DIN 939 M8 x 25 stud	4
23	P-2510260	Case Cover inner Snap Ring	1
24	P-3060205	Case cover inner bearing Outer Race	1
25	P-2510261	Case cover Outer Snap ring	1
26	P-3060208	Case cover outer bearing outer race and roller cage	1
27	P-4020211	A2500 Case Cover Gasket	1
28	P-3030201	A2500 Crank Case Cover	1
29	F-09520	1" NPT Hollow Head Hex Plug	1
30	P-3060208	Case cover outer bearing inner race ring	1
31	P-2510262	Crankshaft external retaining ring	1
32	P-4030202	Crankshaft oil seal	1
33	P-3040207	A2500 Crankshaft seal retainer	1
34	P-2570914	HHCS M5-0.8 x 10mm	4
35	P-2560104	SHCS M8 x 1.25 x 35mm	6

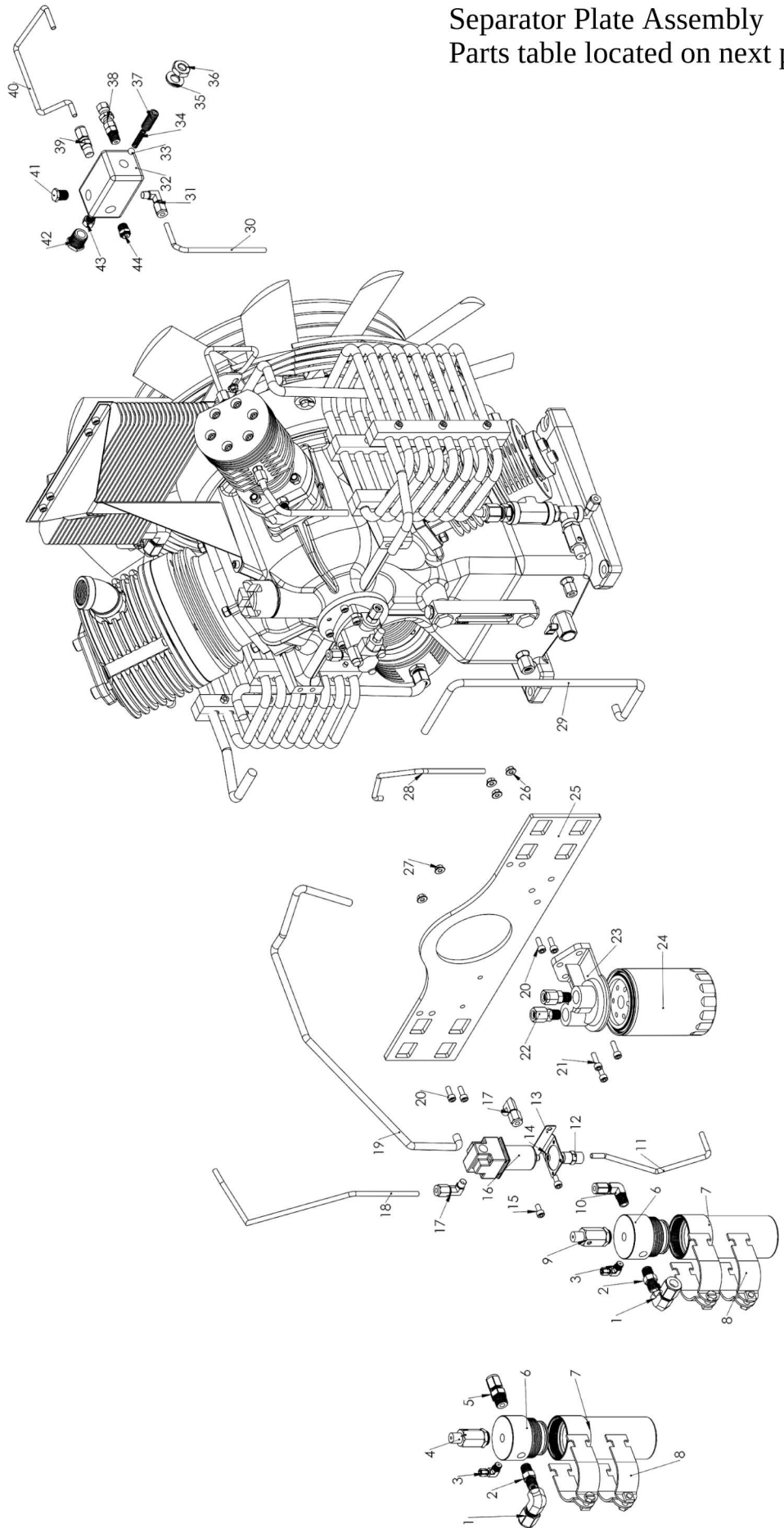


	Part Number	Description	Quantity
1	P-6020404	Intercooler 2 (After Stage 2) ½ Tube	1
2	F-011516	½ MNPT x ½ Tube Straight	4
3	P-6020405	Short 3/8 Tube 3 (Separator - Stage 3)	1
4	P-3010301	Crank Case Assembly	1
5	P-6020407	Short 3/8 Tube 4 (Separator – Final Stage)	1
6	P-6020406	Intercooler 3 (After stage 3) ½ Tube	1
7	A-R2038	1 st stage relief valve	1
	A-R2501P	1 st stage relief valve Plumbed	
8	F-01250	¼ MNPT x 1/8 Tube Elbow 90	1
9	F-01413	1/4NPT Male x Female x Female T	1
10	F-01119	½ MNPT x ¼ FNPT bushing	1
11	F-01455	½ NPT Male x Female x Female branch T	1
12	P-6020403	Short Tube 2 (Supercooler- Stage 2) ½ Tube	1
13	F-02253	½ MNPT x ½ Tube Elbow 90	1
14	P-2560107	SHCS M6-1.0x 35mm	6
15	P-6020131	Intercooler Tube Clamp (outer)	4
16	P-6020130	Intercooler Tube Clamp (inner)	8
17	P-2530201	M6 Nylon Locknut	14
18	P-2560113	SHCS M6-1.0 x 40mm	12
19	P-6020401	Short Tube 1 (1 st Stage – Supercooler) ½ Tube	1
20	F-P-30120	1” NPT Female x Female Elbow 45	1
21	P-6030302	Aftercooler Bracket	4
22	P-6030303	Aftercooler Coil Clamp	8
23	P-2560111	SHCS M6-1.0 x 45mm	8
24	P-6030301	Aftercooler ¼ Tube	1
25	P-3040205	0.25 x 0.25 x 2 Square Key	1
26	P-3070201	Fan and Flywheel Assembly	1
27	P-6020408	Supercooler Bottom Bracket	1
28	P-2530303	¼ -20 Nylon Locknut	8
29	P-6020409	Supercooler Top Brace	1
30	P-6020402	Supercooler	1
31	P-2570208	HHCS ¼ – 20 x ½	8
32	P-2560108	SHCS M6-1.0 x 16mm	2



	Part Number	Description	Quantity
1	P-2570209	HHCS 5/16-18 x 3/4"	3
2	P-3070201 Fan Assembly	HHCS 1/4-18 x 1"	1
3		HHCS M5-0.8 x 25	
4		Fan Clamp Plate	
5		Fan Blade	
6		Fan Drive Plate	
7		M5-0.8 Nylon Lock nut	
8		1/4-18 Nylon Lock Nut	
9		P-3070205	
10	P-3080201	Flywheel	1
11	P-3080202	Flywheel bushing	1
12	P-2520302	5/16" Lock Washer	6
13	P-2570244	HHCS 5/16-18 x 2.75"	6

Separator Plate Assembly
Parts table located on next page.



	Part Number	Description	Quantity
1	F-01258	¼ FNPT to 1/2 Tube Elbow	2
2	F-01110	¼ MNPT Hex Nipple	2
3	F-02250	1/8 MNPT x 1/8 Tube Elbow	2
4	A-R2021	2 nd Stage Relief Valve	1
	A-R2502	2 nd Stage Plumbed Relief Valve (set to 450 psi) for CNG	
5	F-011511	¼ MNPT x 3/8 Tube Straight	1
6	P-6040021	Interstage moisture separator top	2
7	P-6040020	Interstage Moisture Separator	2
	P-6040022	CNG Specific Interstage Moisture Separator	
8	P-2510102	Separator mounting clamps	4
9	A-R2010	3 rd Stage Relief Valve	1
	A-R2503	3 rd Stage Plumbed Relief Valve (set to 1500 psi)	
10	F-01252	¼ MNPT x 3/8 Tube Elbow	1
11	P-3065210	Oil Separator to Crankcase return ¼ Tube	1
12	P-6040203	Oil Separator Adapter Nipple	1
13	P-6040202	Oil Separator mounting Bracket	1
14	OR-V016	O Ring	1
15	P-2560108	SHSC M6-1.0 x16mm	2
16	P-6040204	Crank Case Vent Oil Separator	1
17	F-01252	¼ MNPT x 3/8 tube elbow	2
18	P-3065209	Pressure vent oil separator to First Stage inlet 3/8 tube	1
19	P-3065208	Crankcase pressure vent to to oil separator 3/8 tube	1
20	P-2560105	SHCS M8-1.25 x 25mm	4
21	P-2560103	SHCS M8-1.25 x 30mm	3
22	F-011512	3/8 MNPT x ¼ tube straight	2
23	P-5535202	Oil Filter adapter	1
24	P-5535201	Oil Filter	1
25	P-6040201	A2500 Separator Mounting Plate	1
26	P-2530202	M8 -1.25 Nylon Lock nut	3
27	P-2530201	M6-1.0 Nylon Lock nut	2
28	P-3065204	Oil Pump to Oil filter ¼ Tube	1
29	P-3065203	Crankcase to Oil pump pickup 3/8 tube	1
30	P-3065205	Oil filter to Oil block ¼ tube	1
31	F-01251	¼ MNPT x ¼ Tube elbow	1
32	P-3065206	Oil Block	1
33	P-3065211	Oil Block Relief Valve Ball	1
34	P-3065212	Oil Block Relief Valve Spring	1
35	P-2520108	Sealing Washer	1
36	P-2530415	½ -13 hex Nut	1
37	P-2550106	Oil Block Relief Valve set Screw	1
38	F-01134	1/4 MNPT x F #4 JIC swivel	1
39	F-01152	¼ FNPT x ¼ tube straight	1
40	P-3065207	Oil block to 4 th stage cylinder ¼ tube	1
41	F-01560	1/4 NPT Plug	1
42	F-09520	1" NPT HOLLOW HEAD HEX PLUG	1
43	P-3065213	Oil Block Relief Valve Orifice	1
44	F-01159	1/4 MNPT x 1/8 PTC fitting	1